

AM ALUMINIUM MANIFOLD

AM is a revolutionary manifold for the distribution of compressed air and other fluids under pressure (drinking water, oil, inert gases and vacuum Δ).

AM is particularly suitable to be mounted onto automatic machines to feed the different servomechanisms or onto injection or die-casting presses to cool moulds.

AM is assembled by means of the Teseo HBS components and bars.

The following drawings show an example of an assembled manifold with its parts.

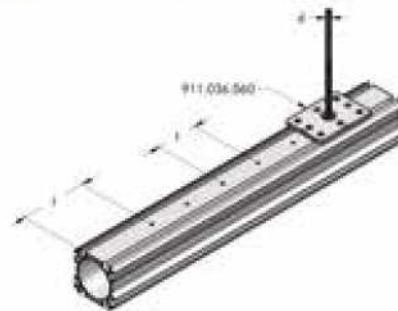
1

Choose the bar diameter and cut to size



2

Mark positions and sign the centres



3

Drill holes in the bar



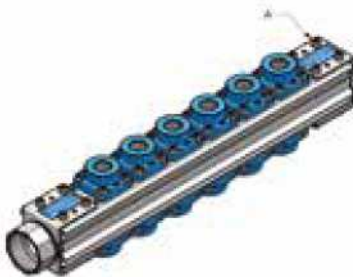
4

Choose required outlet plates



5

Choose the appropriate terminals



6

Choose the appropriate fixing brackets



For chemical compatibility and further details contact TESEO srl technical dept.

PROPOSAL

The technical office of Teseo srl can design bespoke manifolds at the request of the customer and supply them already assembly. The manifolds can be manufactured with both systems, HBS and AP.