

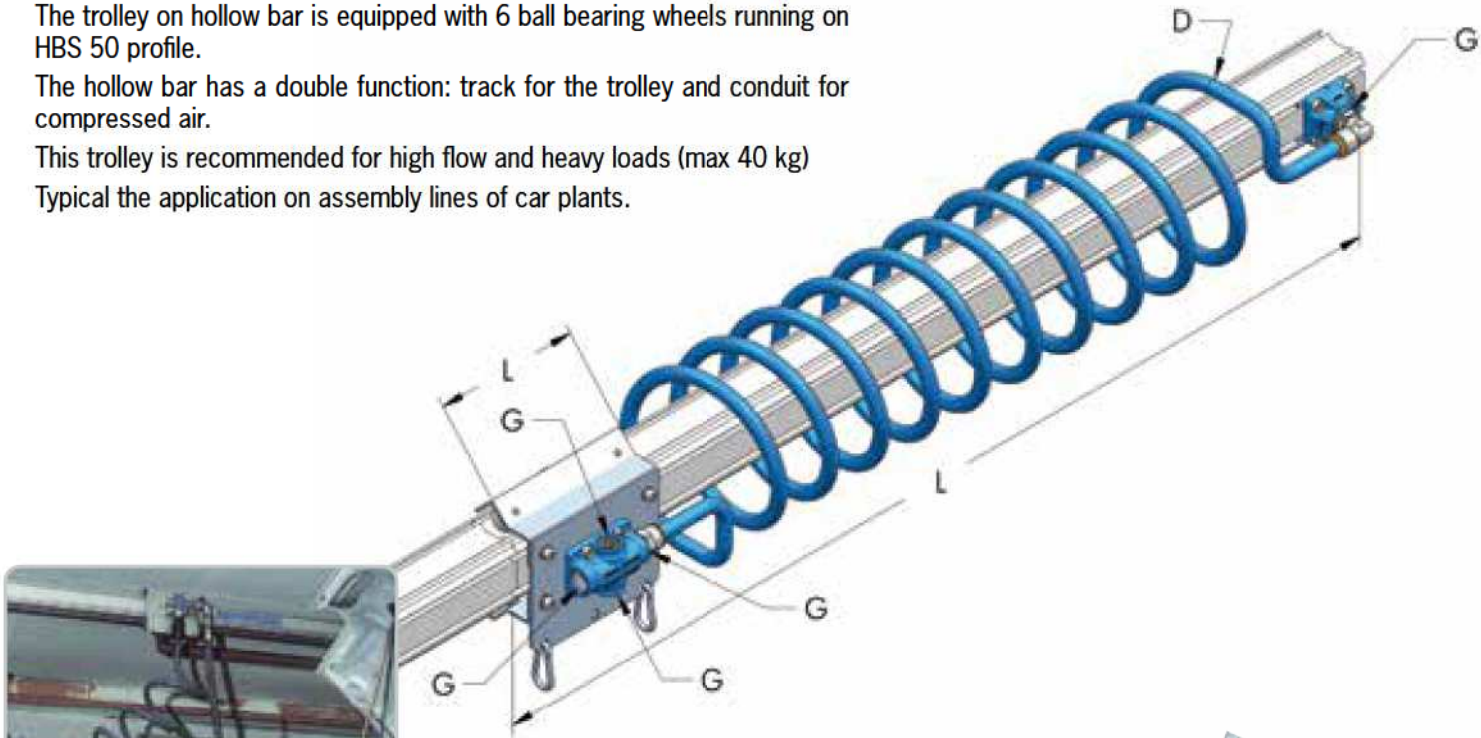
MAT MODULAR AIR TROLLEY


The trolley on hollow bar is equipped with 6 ball bearing wheels running on HBS 50 profile.

The hollow bar has a double function: track for the trolley and conduit for compressed air.

This trolley is recommended for high flow and heavy loads (max 40 kg)

Typical the application on assembly lines of car plants.



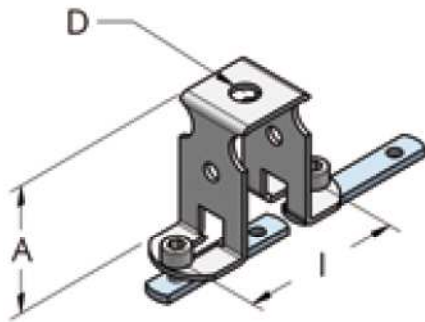
	D mm	G	L mm	Part. no.	P g	 n°
Trolley	-	1/2" - BSP	150	005 001 020	1400	1
Hose	14	1/2" - BSP	4500	005 001 065	1000	1
Hollow bar	50	-	5000	801 060 500	9500	1
Glider pad	26	-	60	002 001 040	20	1

WARNING !

Maximum static load applied to the hook 30 kg ($T_{min} -20^{\circ}C$ $T_{max} +80^{\circ}C$)

HANGING SUPPORT PLATE

HBS

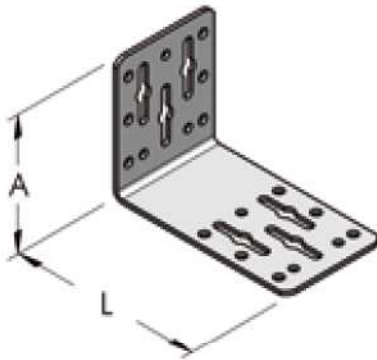


A mm	I mm	D mm	Part. no.	P g	n°
50	36-60	6,5	003 001 074	100	10

SUPPORT "L" PLATE

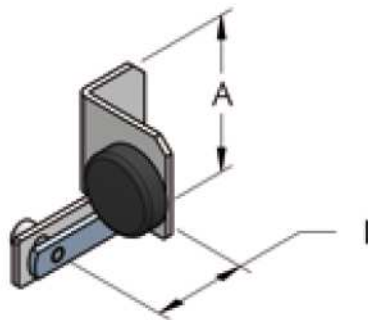
HBS

ATS



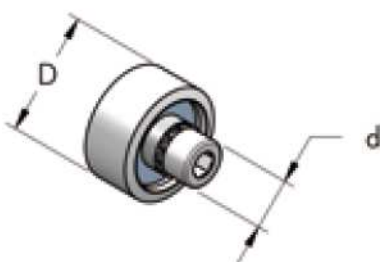
A mm	L mm	Part. no.	P g	n°
94	140	732 078 140	420	20

STROKE END STOP



A mm	I mm	Part. no.	P g	n°
60	36	005 001 035	80	20

BALL BEARING WHEEL



D mm	d mm	Part. no.	P g	n°
24	6	005 001 043	22	20