

B11

ISO 15218 - 10 mm Nanovalves - 1 W standard

- Flow-rate: 10 NI/min
- Quick response time: 3 ms
- ISO 15218 interface
- 3/2 NC version
- Led standard



TECHNICAL CHARACTERISTICS

Ambient temperature	-5 ÷ +50 °C
Fluid temperature	Max +50 °C
Fluid	10 µm filtered air, with or without lubrication
Ways/Positions	3/2 NC, 3/2 NO
Pressure	Max 7 bar
Control	electric
Return	mechanical spring
Operating frequency	5 Hz
Assembly	no. 2 screws M1,6
Connections	ISO 15218 interface
Nominal Ø (mm)	0,7 (3/2 NC) (3/2 NO)
Nominal flow rate (NI/min)	10

CONSTRUCTIVE CHARACTERISTICS

Valve body	self-extinguishing technopolymer
Seals	VITON/NBR
Components	stainless steel - brass

ELECTRIC CHARACTERISTICS

Voltage	24 VDC (12V DC upon request)
Voltage tolerance	±10%
Power consumption	1 W
Electrical connection	connector D535 U40 (IP65), welded pin (IP00), Molex
LED	yellow (standard)
Manual override	monostable button

CODIFICATION KEY

B	1	1	-	4	0	1	L	2	4	D
	1			2	3	4	5		6	

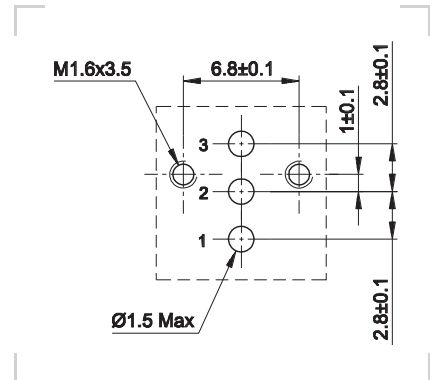
1 Series	2 Model	3 Type	4 Function
B11 = ISO 15218 - 10 mm Nanovalves	4 = Monostable	0 = 3/2 NC 1 = 3/2 NO	1 = With manual override (L variant) 2 = Without manual override (L variant) 3 = With manual override (P variant) 4 = Without manual override (P variant) 5 = With manual override (M variant) 6 = Without manual override (M variant)

5 Variant	6 Voltage
L = 90° connector (protected pins) M = In-line connector protected pins (upon request) P = In-line connector (for assembly on electronic board)	24D = 24 V DC 12D = 12 V DC (upon request)

Fixing screws standard supplied. Max tightening torque 0,15 Nm
Other versions upon request: in-line cables and 90° cables

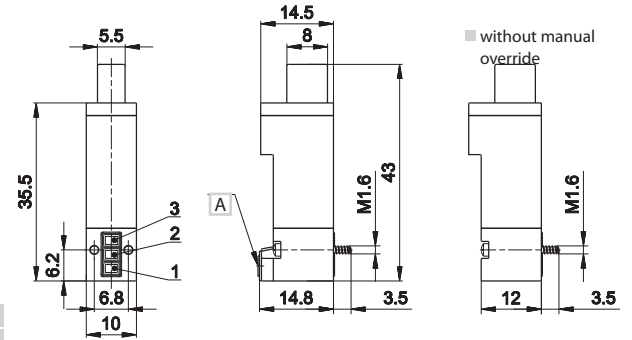
Subject to change

Substructure (ISO 15218)



- 1 = Supply port
- 2 = Use
- 3 = Exhaust

90° Connector - protected pins

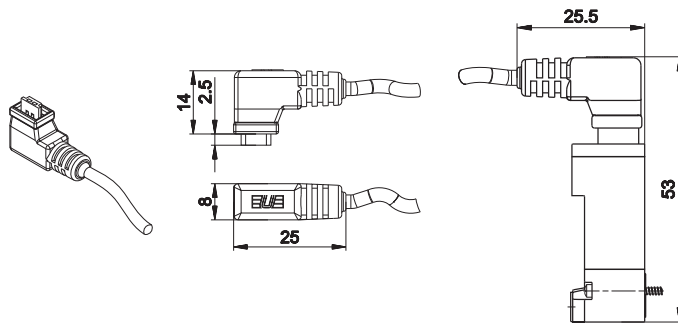


Symbol	Pressure bar	Ø mm	Resp. Time (ms)		Weight Kg	Part no.
			En.	De-en.		

3/2 NC		0÷7	0,7	3	3,5	0,0108	B11-401L24D (a)
--------	--	-----	-----	---	-----	--------	-----------------

3/2 NC		0÷7	0,7	3	3,5	0,0107	B11-402L24D (b)
--------	--	-----	-----	---	-----	--------	-----------------

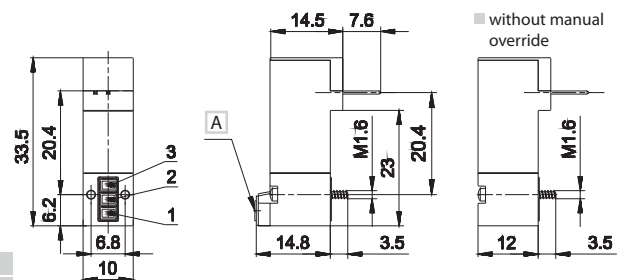
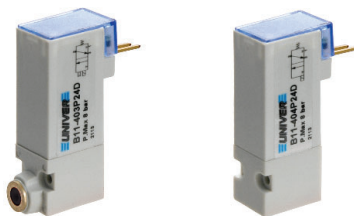
D-535U40300/500



single connector with 0,3-0,5 m wire
 weight Kg: 0,05 D-535U40300 wire L = 300 mm
 0,07 D-535U40500 wire L = 500 mm

3

In-line PIN (for assembly on electronic board)



Symbol	Pressure bar	Ø mm	Resp. Time (ms)		Weight Kg	Part no.
			En.	De-en.		

3/2 NC		0÷7	0,7	3	3,5	0,0104	B11-403P24D (a)
--------	--	-----	-----	---	-----	--------	-----------------

3/2 NC		0÷7	0,7	3	3,5	0,0103	B11-404P24D (b)
--------	--	-----	-----	---	-----	--------	-----------------

(a) = with manual override (b) = without manual override

B10

ISO 15218 - 10 mm Nanovalves - low power consumption

- Low input standard: 0,3 W
- Flow-rate: 10 NI/min
- Quick response time: 3 ms
- ISO 15218 interface
- 3/2 NC version
- Led standard

- Upon request:
- Bistable version



TECHNICAL CHARACTERISTICS

Ambient temperature	-5 ÷ +50 °C
Fluid temperature	Max +50 °C
Fluid	10 µm filtered air, with or without lubrication
Ways/Positions	3/2 NC
Pressure	Max 7 bar
Control	electric
Return	mechanical spring
Operating frequency	5 Hz
Assembly	no. 2 screws M1,6
Connections	ISO 15218 interface
Nominal Ø (mm)	0,7 mm
Nominal flow rate (NI/min)	10

CONSTRUCTIVE CHARACTERISTICS

Valve body	self-extinguishing technopolymer
Seals	VITON/NBR
Components	stainless steel - brass

ELECTRIC CHARACTERISTICS

Voltage	24 VDC (12V DC upon request)
Voltage tolerance	±10%
Power consumption	1,3 W (speed-up 1 W)
Electrical connection	connector D535 U40 (IP65), welded pin (IP00), Molex
LED	yellow (standard)
Manual override	monostable button

CODIFICATION KEY

B	1	0	-	4	0	1	L	2	4	D
	1			2	3	4	5		6	

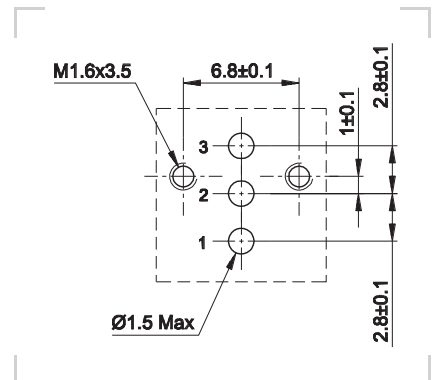
1 Series	2 Model	3 Type	4 Function
B10 = ISO 15218 10 mm Nanovalves low power consumption	4 = Monostable	0 = 3/2 NC	1 = With manual override (L variant) 2 = Without manual override (L variant) 3 = With manual override (P variant) 4 = Without manual override (P variant) 5 = With manual override (M variant) 6 = Without manual override (M variant)

5 Variant	6 Voltage
L = 90° connector (protected pins) M = In-line connector protected pins (upon request) P = In-line connector (for assembly on electronic board)	24D = 24 V DC 12D = 12 V DC (upon request)

Fixing screws standard supplied. Max tightening torque 0,15 Nm
 Other versions upon request: in-line cables and 90° cables

Subject to change

Substructure (ISO 15218)

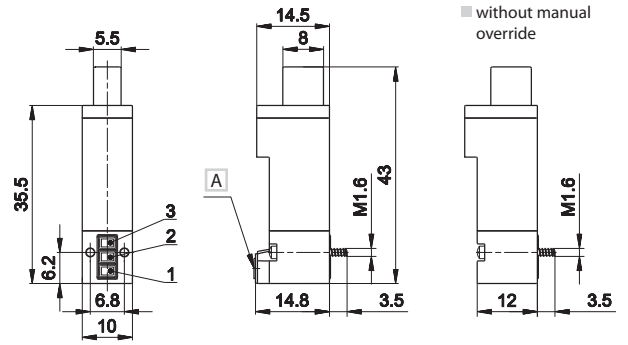


- 1 = Supply port
- 2 = Use
- 3 = Exhaust

90° Connector - protected pins



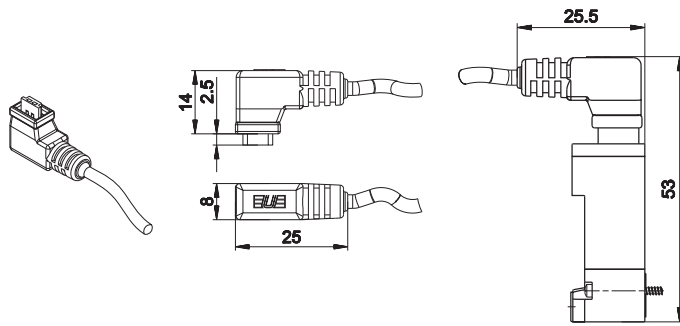
Symbol	Pressure bar	Ø mm	Resp. Time (ms)		Weight Kg	Part no.
			En.	De-en.		
	0÷7	0,7	3	3,5	0,0108	B10-401L24D (a)
	0÷7	0,7	3	3,5	0,0107	B10-402L24D (b)



A Manual override

- 1 = Supply port
- 2 = Use
- 3 = Exhaust

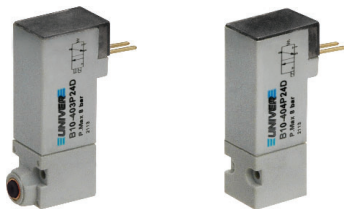
D-535U40300/500



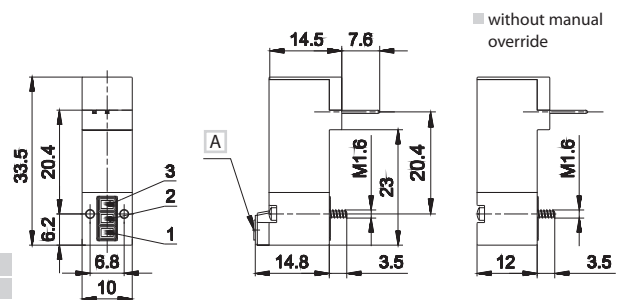
single connector with 0,3-0,5 m wire
 weight Kg: 0,05 D-535U40300 wire L = 300 mm
 0,07 D-535U40500 wire L = 500 mm

3

In-line PIN (for assembly on electronic board)



Symbol	Pressure bar	Ø mm	Resp. Time (ms)		Weight Kg	Part no.
			En.	De-en.		
	0÷7	0,7	3	3,5	0,0104	B10-403P24D (a)
	0÷7	0,7	3	3,5	0,0103	B10-404P24D (b)



A Manual override

- 1 = Supply port
- 2 = Use
- 3 = Exhaust

B12

ISO 15218 - 10 mm Nanovalves - high flow rate

- High flow-rate: 30 NI/min
- Quick response time: 3 ms
- ISO 15218 interface
- 3/2 NC version
- Led standard

Upon request:

- 40 NI/min flow rate version



TECHNICAL CHARACTERISTICS

Ambient temperature	-5 ÷ +50 °C
Fluid temperature	Max +50 °C
Fluid	10 µm filtered air, with or without lubrication
Ways/Positions	3/2 NC
Pressure	Max 7 bar
Control	electric
Return	mechanical spring
Operating frequency	5 Hz
Assembly	no. 2 screws M1,6
Connections	ISO 15218 interface
Nominal Ø (mm)	1,3 mm
Nominal flow rate (NI/min)	28

CONSTRUCTIVE CHARACTERISTICS

Valve body	self-extinguishing technopolymer
Seals	VITON/NBR
Components	stainless steel - brass

ELECTRIC CHARACTERISTICS

Voltage	24 VDC (12V DC upon request)
Voltage tolerance	±10%
Power consumption	0,6 W (speed-up 5,5 W)
Electrical connection	connector D535 U40 (IP65), welded pin (IP00), Molex
LED	yellow (standard)
Manual override	monostable button

CODIFICATION KEY

B	1	2	-	4	0	1	L	2	4	D
	1			2	3	4	5		6	

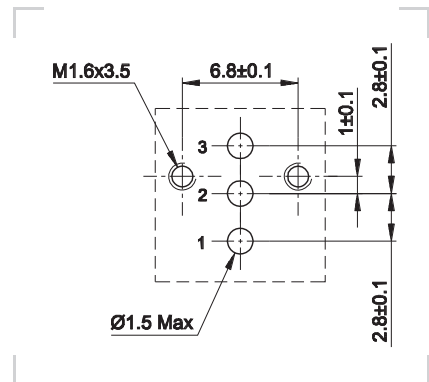
1 Series	2 Model	3 Type	4 Function
B12 = ISO 15218 - 10 mm Nanovalves - high flow rate	4 = Monostable	0 = 3/2 NC	1 = With manual override (L variant) 2 = Without manual override (L variant) 3 = With manual override (P variant) 4 = Without manual override (P variant) 5 = With manual override (M variant) 6 = Without manual override (M variant)

5 Variant	6 Voltage
L = 90° connector (protected pins) M = In-line connector protected pins (upon request) P = In-line connector (for assembly on electronic board)	24D = 24 V DC 12D = 12 V DC (upon request)

Fixing screws standard supplied. Max tightening torque 0,15 Nm
 Other versions upon request: in-line cables and 90° cables, nominal flow rate 40 NI/min

Subject to change

Substructure (ISO 15218)

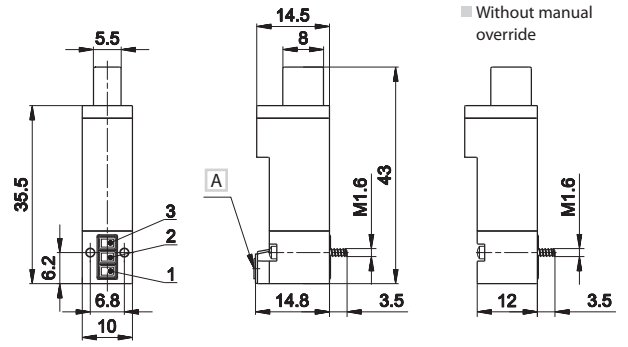


- 1 = Supply port
- 2 = Use
- 3 = Exhaust

90° Connector - protected pins



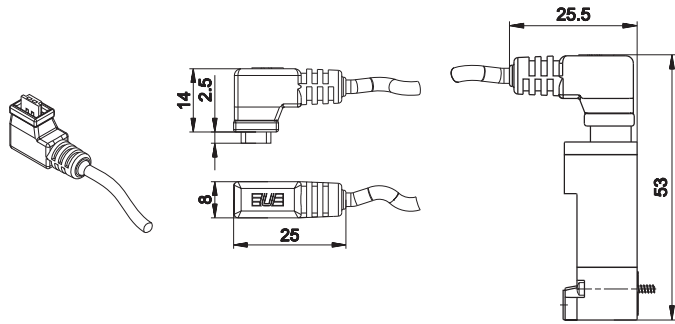
Symbol	Pressure bar	Ø mm	Resp. Time (ms)		Weight Kg	Part no.
			En.	De-en.		
	0÷7	1,3	3	3,5	0,0108	B12-401L24D (a)
	0÷7	1,3	3	3,5	0,0107	B12-402L24D (b)



A Manual override

- 1 = Supply port
- 2 = Use
- 3 = Exhaust

D-535U40300/500



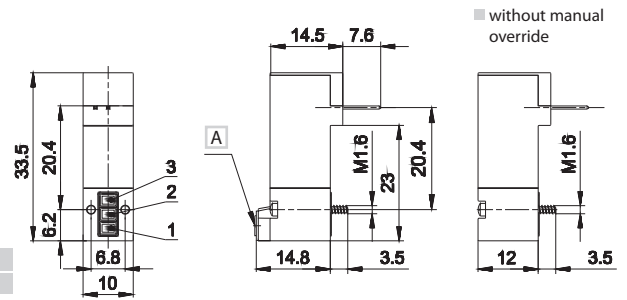
single connector with 0,3-0,5 m wire
 weight Kg: 0,05 D-535U40300 wire L = 300 mm
 0,07 D-535U40500 wire L = 500 mm

3

In-line PIN (for assembly on electronic board)



Symbol	Pressure bar	Ø mm	Resp. Time (ms)		Weight Kg	Part no.
			En.	De-en.		
	0÷7	1,3	3	3,5	0,0104	B12-403P24D (a)
	0÷7	1,3	3	3,5	0,0103	B12-404P24D (b)



A Manual override

- 1 = Supply port
- 2 = Use
- 3 = Exhaust

(a) = with manual override (b) = without manual override