

# YR240

## Brass ball valve 2/2 with rotary actuator

- Full-bore ball valve
- Anti-blowout stem
- Top-flange according to DIN-ISO 5211



### TECHNICAL CHARACTERISTICS

Temperature	-20 ÷ 120 °C
Fluid	air, water, etc
Working pressure	Max PN 40
Thread ends	GAS UNI 338 - ISO R/228 - DIN 259 - BSPP
Rotary angle	90°
Flow direction	both directions

### CONSTRUCTIVE CHARACTERISTICS

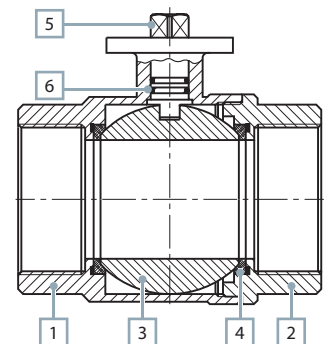
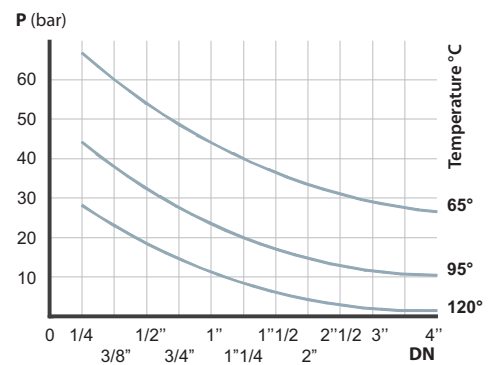
Body	hot pressed brass (1)
End cap	hot pressed brass (2)
Ball	chromium-plated brass (3)
Seat ring	P.T.F.E. (4)
Piston rod	brass (5)
Piston rod ring	viton (6)

### CODIFICATION KEY

Y	R	2	4	0	0	1	0	D	A
1			2				3		

1 Series	2 Size	3 Version
<b>YR240</b> = Brass ball valve 2/2 with rotary actuator	<b>008</b> = 8 mm <b>010</b> = 10 mm <b>015</b> = 15 mm <b>020</b> = 20 mm <b>025</b> = 25 mm <b>032</b> = 32 mm <b>040</b> = 40 mm <b>050</b> = 50 mm <b>065</b> = 65 mm <b>080</b> = 80 mm <b>100</b> = 100 mm	<b>DA</b> = double acting <b>SR</b> = single acting

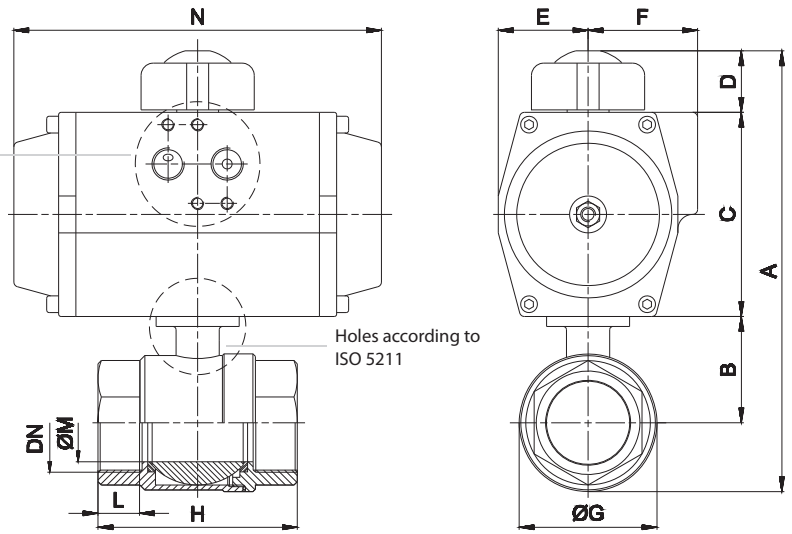
### Pressure - temperature diagram



Double acting/single acting



NAMUR connection



Holes according to ISO 5211

Double acting

Ø	DN	A	B	C	D	E	F	ØG	H	L	ØM	N	Part no.
8	G 1/4	114	29	45	24	22,5	22,5	32	65	17	15	142	YR240008SR
10	G 3/8	114	29	45	24	22,5	22,5	32	65	17	15	142	YR240010SR
15	G 1/2	136	29	67	24	30	41	32	65	17	15	142	YR240015SR
20	G 3/4	143	32	67	24	30	41	40	75	19	20	142	YR240020SR
25	G 1	150,5	36	67	24	30	41	47	86	21	25	155	YR240025SR
32	G 1 1/4	160,5	41	67	24	30	41	57	95	22	32	155	YR240032SR
40	G 1 1/2	198,5	57	83	24	36,5	44,5	69	101	22	38	213	YR240040SR
50	G 2	212	64	83	24	36,5	44,5	82	120	25	47	213	YR240050SR
65	G 2 1/2	265,5	85	100	24	42,5	49,5	113	165	30	65	276	YR240065SR
80	G 3	296	94.5	110	24	49	53	135	188	33	80	366	YR240080SR
100	G 4	348	116	125	24	55	58	166	225	39	100	366	YR240100SR

Single acting

Ø	DN	A	B	C	D	E	F	ØG	H	L	ØM	N	Part no.
8	G 1/4	136	29	67	24	30	41	32	65	17	15	142	YR240008SR
10	G 3/8	136	29	67	24	30	41	32	65	17	15	142	YR240010SR
15	G 1/2	136	29	67	24	30	41	32	65	17	15	142	YR240015SR
20	G 3/4	143	32	67	24	30	41	40	75	19	20	142	YR240020SR
25	G 1	166,5	36	83	24	30	41	47	86	21	25	155	YR240025SR
32	G 1 1/4	176,5	41	83	24	36,5	44,5	57	95	22	32	155	YR240032SR
40	G 1 1/2	215,5	57	100	24	42,5	49,5	69	101	22	38	213	YR240040SR
50	G 2	229	64	100	24	42,5	49,5	82	120	25	47	213	YR240050SR
65	G 2 1/2	290,5	85	125	24	55	58	113	165	30	65	276	YR240065SR
80	G 3	351	94.5	155	34	70	70	135	188	33	80	366	YR240080SR
100	G 4	388	116	155	34	70	70	166	225	39	100	366	YR240100SR

Actuator sizing: air supply actuator 5,5 bar (80 psi) min. with ΔP valve 16 bar (232 psi) max

# YR250

## Ball valve 2/2 AISI 316 with manual lever or rotary actuator

- Full-bore ball valve
- Anti-blowout stem
- Antistatic device
- Top-flange according to DIN-ISO 5211
- Stem sealing with Chevron rings



### TECHNICAL CHARACTERISTICS

Temperature	-20 ÷ 200 °C
Fluid	air, water, chemical agents, etc
Working pressure	Max PN 63
Thread ends	GAS UNI 338 - ISO R/228 - DIN 259 - BSPP
Rotary angle	90°
Flow direction	both directions

### CONSTRUCTIVE CHARACTERISTICS

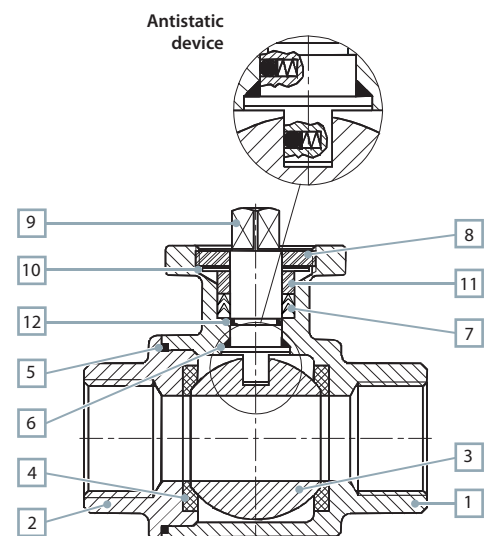
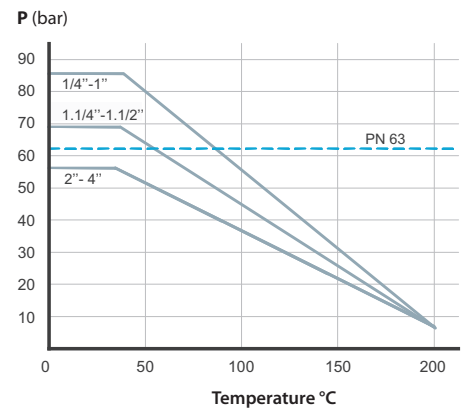
Body	CF8M (1)
End cap	CF8M (2)
Ball	stainless steel (AISI 316) (3)
Gasket	15% R - P.T.F.E.* (4)
Seat ring	P.T.F.E. (5)
Thrust washer	P.T.F.E. (6)
Gland packing	P.T.F.E. (7)
Gland nut	stainless steel (AISI 304) (8)
Piston rod	stainless steel (AISI 304) (9)
Washer	stainless steel (AISI 304) (10)
Gland ring	stainless steel (AISI 304) (11)
O-ring	viton (12)

### CODIFICATION KEY

Y	R	2	5	0	0	1	0	D	A
1			2				3		

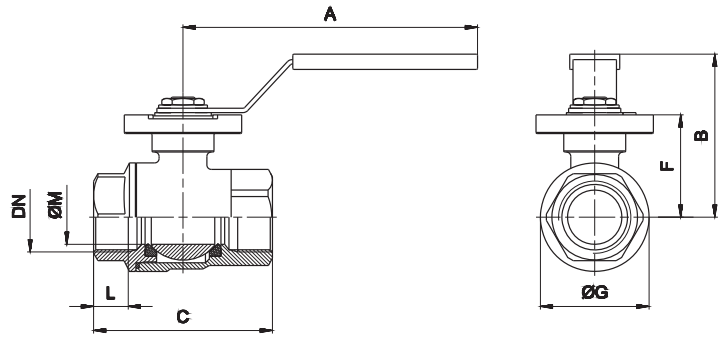
1 Series	2 Size	3 Version
YR250 = Ball valve 2/2 AISI 316 with manual lever or rotary actuator	008 = 8 mm 010 = 10 mm 015 = 15 mm 020 = 20 mm 025 = 25 mm 032 = 32 mm 040 = 40 mm 050 = 50 mm 065 = 65 mm 080 = 80 mm	LM = manual lever DA = double acting SR = single acting

### Pressure - temperature diagram



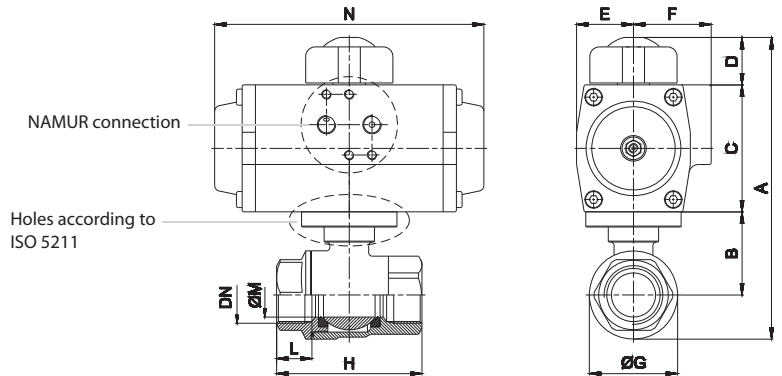
\* R-P.T.F.E.: Reinforced P.T.F.E. (15% glass fibre)

With lever



Ø	DN	A	B	C	L	ØM	F	ØG	Square	ISO 5211	Part no.
8	G 1/4	120	59	47	9,7	11	36	42	9	F03	YR250008LM
10	G 3/8	120	59	47	10,1	12,5	36	42	9	F03	YR250010LM
15	G 1/2	120	63	57	13,2	15	38	36	9	F03 - F04	YR250015LM
20	G 3/4	120	70	64	14,5	20	42	44	9	F03 - F04	YR250020LM
25	G 1	140	74	77	16,8	25	45	51	11	F04 - F05	YR250025LM
32	G 1 1/4	150	88	90	19,1	32	56	64	11	F04 - F05	YR250032LM
40	G 1 1/2	200	94	105	19,1	40	62	77	14	F05 - F07	YR250040LM
50	G 2	200	102	122	23,4	50	70	92	14	F05 - F07	YR250050LM
65	G 2 1/2	255	140	154	26,7	65	95	112	17	F07 - F10	YR250065LM
80	G 3	255	153	173	29,8	76	120	140	17	F07 - F10	YR250080LM

Double acting/single acting



Double acting

Ø	DN	A	B	C	D	E	F	ØG	H	L	ØM	N	Part no.
8	G 1/4	126	36	45	24	22,5	28,5	42	47	9,7	11	115	YR250008DA
10	G 3/8	126	36	45	24	22,5	28,5	42	47	10,1	12,5	115	YR250010DA
15	G 1/2	147	38	67	24	30	41	36	57	13,2	15	142	YR250015DA
20	G 3/4	155	42	67	24	30	41	44	64	14,5	20	142	YR250020DA
25	G 1	161,5	45	67	24	30	41	51	77	16,8	25	142	YR250025DA
32	G 1 1/4	195	56	83	24	36,5	44,5	64	90	19,1	32	155	YR250032DA
40	G 1 1/2	207,5	62	83	24	36,5	44,5	77	105	19,1	40	155	YR250040DA
50	G 2	240	70	100	24	42,5	49,5	92	122	23,4	50	213	YR250050DA
65	G 2 1/2	285	95	110	24	49	53	112	154	26,7	65	236	YR250065DA
80	G 3	324	120	110	24	49	53	140	173	29,8	80	236	YR250080DA

Single acting

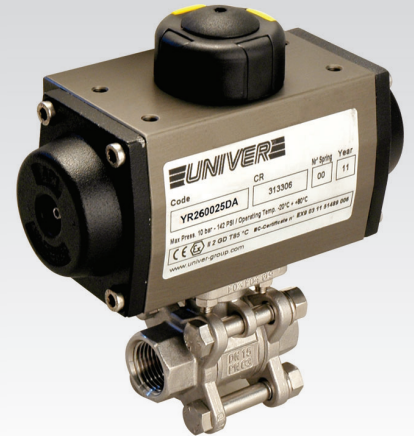
Ø	DN	A	B	C	D	E	F	ØG	H	L	ØM	N	Part no.
8	G 1/4	148	36	67	24	30	41	42	47	9,7	11	142	YR250008SR
10	G 3/8	148	36	67	24	30	41	42	47	10,1	12,5	142	YR250010SR
15	G 1/2	147	38	67	24	30	41	36	57	13,2	15	142	YR250015SR
20	G 3/4	171	42	83	24	36,5	44,5	44	64	14,5	20	155	YR250020SR
25	G 1	177,5	45	83	24	36,5	44,5	51	77	16,8	25	155	YR250025SR
32	G 1 1/4	212	56	100	24	42,5	49,5	64	90	19,1	32	213	YR250032SR
40	G 1 1/2	224,5	62	100	24	42,5	49,5	77	105	19,1	40	213	YR250040SR
50	G 2	250	70	110	24	49	53	92	122	23,4	50	236	YR250050SR
65	G 2 1/2	300	95	125	24	55	58	112	154	26,7	65	276	YR250065SR
80	G 3	369	120	155	24	70	70	140	173	29,8	80	366	YR250080SR

Actuator sizing: air supply actuator 5.5 bar (80 psi) min.with ΔP valve 16 bar (232 psi) max

# YR260

Ball valve 2/2 AISI 316 (3 pieces) with manual lever or rotary actuator

- Full-bore ball valve
- Anti-blowout stem
- Antistatic device
- Top-flange according to DIN-ISO 5211
- Stem sealing with Chevron rings



## TECHNICAL CHARACTERISTICS

Temperature	-25 ÷ 200 °C
Fluid	air, water, chemical agents, etc
Working pressure	Max PN 63
Thread ends	GAS UNI 338 - ISO R/228 - DIN 259 - BSPP
Rotary angle	90°
Flow direction	both directions

## CONSTRUCTIVE CHARACTERISTICS

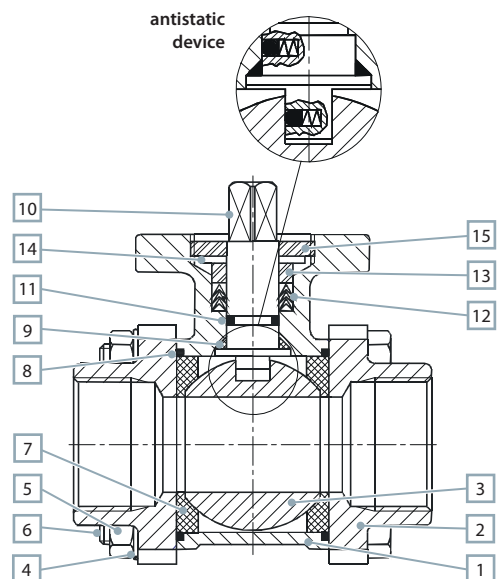
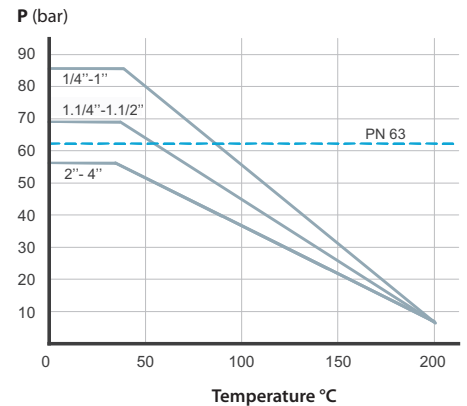
Body	CF8M (1)
End cap	CF8M (2)
Ball	stainless steel (AISI 316) (3)
Washer	stainless steel (AISI 304) (4)
Nut	stainless steel (AISI 304) (5)
Screw	stainless steel (AISI 304) (6)
Gasket	15% R - P.T.F.E.* (7)
Seat ring	P.T.F.E. (8)
Thrust washer	P.T.F.E. (9)
Piston rod	stainless steel (AISI 304) (10)
O-ring	viton (11)
Packing	P.T.F.E. (12)
Gland ring	stainless steel (AISI 304) (13)
Washer	stainless steel (AISI 304) (14)
Gland nut	stainless steel (AISI 304) (15)

## CODIFICATION KEY

Y	R	2	6	0	0	1	0	D	A
1			2				3		

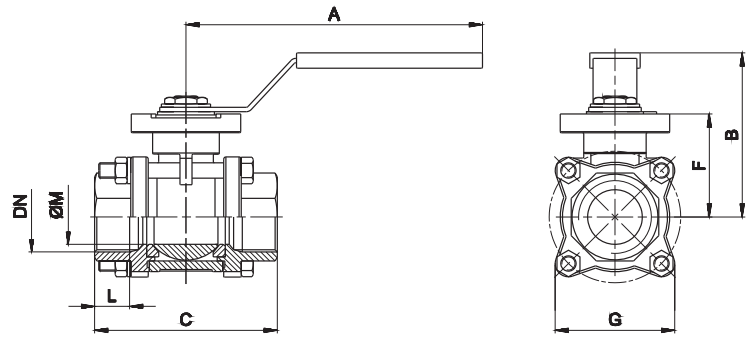
1 Series	2 Size	3 Version
YR260 = Ball valve 2/2 AISI 316 (3 pieces) with manual lever or rotary actuator	008 = 8 mm 010 = 10 mm 015 = 15 mm 020 = 20 mm 025 = 25 mm 032 = 32 mm 040 = 40 mm 050 = 50 mm 065 = 65 mm 080 = 80 mm	LM = manual lever DA = double acting SR = single acting

## Pressure - temperature diagram



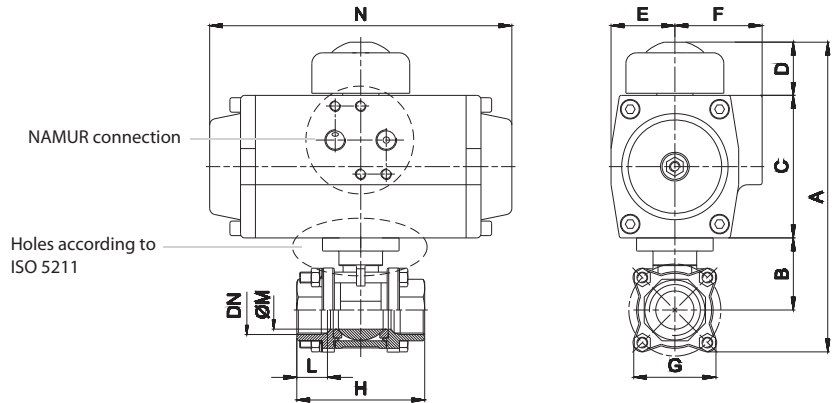
\* R-P.T.F.E.: Reinforced P.T.F.E. (15% glass fibre)

With lever



Ø	DN	A	B	C	L	ØM	F	G	Square	ISO 5211	Part no.
8	G 1/4	120	59	47	9,7	11	36	42	9	F03	YR260008LM
10	G 3/8	120	59	47	10,1	12,5	36	42	9	F03	YR260010LM
15	G 1/2	120	63	54	13,2	15	38	50	9	F03	YR260015LM
20	G 3/4	140	70	73	14,5	20	42	54	11	F04 - F05	YR260020LM
25	G 1	140	74	79	16,8	25	45	58	11	F04 - F05	YR260025LM
32	G 1 1/4	204	88	90	19,1	32	56	72	14	F05 - F07	YR260032LM
40	G 1 1/2	204	94	102	19,1	40	62	80	14	F05 - F07	YR260040LM
50	G 2	204	102	118	23,4	50	70	92	14	F05 - F07	YR260050LM
65	G 2 1/2	255	140	149	26,7	65	102	120	17	F07 - F10	YR260065LM
80	G 3	255	153	180	29,8	80	112	194	17	F07 - F10	YR260080LM

Double acting/single acting



Double acting

Ø	DN	A	B	C	D	E	F	ØG	H	L	ØM	N	Part no.
8	G 1/4	126	36	45	24	22,5	28,5	42	47	9,7	11	115	YR260008DA
10	G 3/8	126	36	45	24	22,5	28,5	42	47	10,1	12,5	115	YR260010DA
15	G 1/2	154	38	67	24	30	41	50	54	13,2	15	142	YR260015DA
20	G 3/4	160	42	67	24	30	41	54	73	14,5	20	142	YR260020DA
25	G 1	165	45	67	24	30	41	58	79	16,8	25	142	YR260025DA
32	G 1 1/4	199	56	83	24	36,5	44,5	72	90	19,1	32	155	YR260032DA
40	G 1 1/2	209	62	83	24	36,5	44,5	80	102	19,1	40	155	YR260040DA
50	G 2	240	70	100	24	42,5	49,5	92	118	23,4	50	213	YR260050DA
65	G 2 1/2	296	102	110	24	49	53	120	149	26,7	65	236	YR260065DA
80	G 3	343	112	110	24	49	53	194	180	29,8	80	236	YR260080DA

Single acting

Ø	DN	A	B	C	D	E	F	ØG	H	L	ØM	N	Part no.
8	G 1/4	148	36	67	24	30	41	42	47	9,7	11	142	YR260008SR
10	G 3/8	148	36	67	24	30	41	42	47	10,1	12,5	142	YR260010SR
15	G 1/2	154	38	67	24	30	41	50	54	13,2	15	142	YR260015SR
20	G 3/4	176	42	83	24	36,5	44,5	54	73	14,5	20	155	YR260020SR
25	G 1	181	45	83	24	36,5	44,5	58	79	16,8	25	155	YR260025SR
32	G 1 1/4	216	56	100	24	42,5	44,5	72	90	19,1	32	213	YR260032SR
40	G 1 1/2	226	62	100	24	42,5	49,5	80	102	19,1	40	213	YR260040SR
50	G 2	250	70	110	24	49	53	92	118	23,4	50	236	YR260050SR
65	G 2 1/2	311	102	125	24	55	58	120	149	26,7	65	276	YR260065SR
80	G 3	388	112	155	24	70	70	194	180	29,8	80	366	YR260080SR

Actuator sizing: air supply actuator 5.5 bar (80 psi) min. with ΔP valve 16 bar (232 psi) max

# YR270

## L-shaped ball valve 3/2 AISI 316 with manual lever or rotary actuator

- Full-bore ball valve
- Anti-blowout stem
- Antistatic device
- Top-flange according to DIN-ISO 5211
- Stem sealing with Chevron rings



### TECHNICAL FEATURES

Temperature	-15 ÷ 230 °C
Fluid	air, water, chemical agents, etc.
Working pressure	Max PN 64
Thread ends	GAS UNI 338 - ISO R/228 - DIN 259 - BSPP
Rotary angle	90°
Flow direction	both directions

### CONSTRUCTIVE FEATURES

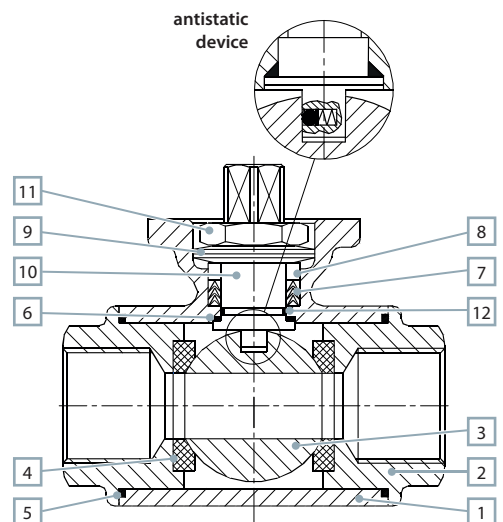
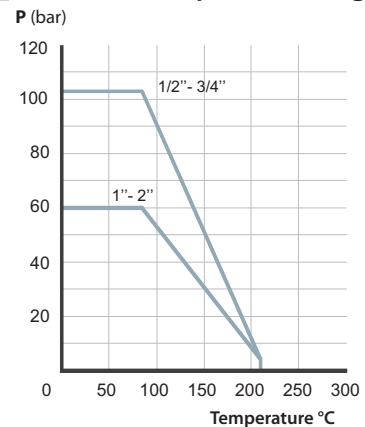
Body	stainless steel (AISI 316) (1)
End cap	stainless steel (AISI 316) (2)
Ball	stainless steel (AISI 316) (3)
Seat ring	P.T.F.E. (4)
Body seal	P.T.F.E. (5)
Thrust washer	P.T.F.E. (6)
Stem packing	P.T.F.E. (7)
Gland ring	P.T.F.E. (8)
Bevel washer	stainless steel (AISI 410) (9)
Piston rod	stainless steel (AISI 316) (10)
Lock nut	stainless steel (AISI 304) (11)
O-ring	viton (12)

### CODIFICATION KEY

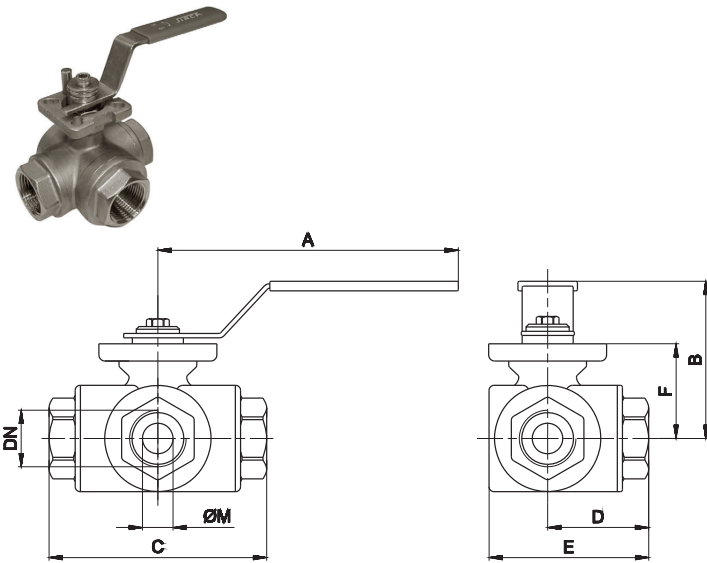
Y	R	2	7	0	0	1	0	D	A
1			2				3		

1 Series	2 Size	3 Version
YR270 = L-shaped ball valve 3/2 AISI 316 with manual lever or rotary actuator	008 = 8 mm 010 = 10 mm 015 = 15 mm 020 = 20 mm 025 = 25 mm 032 = 32 mm 040 = 40 mm 050 = 50 mm	LM = manual lever DA = double acting SR = single acting

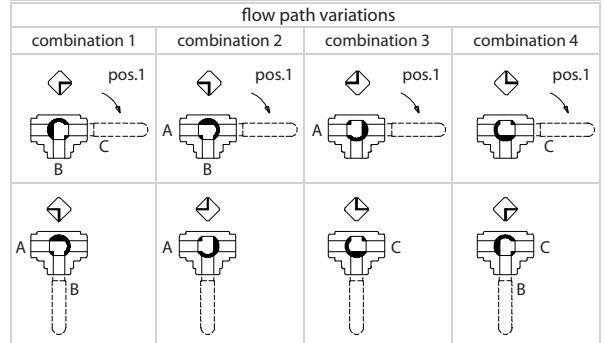
### Pressure - temperature diagram



With lever



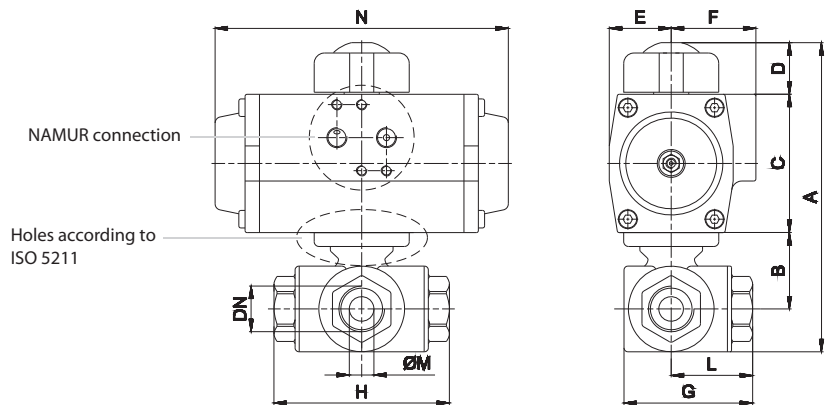
Operating draft



The ball holes position is showed on the stem milling  
 A, B, C = outlets      Lever rotation: 90°  
 To change outlets combination please operate as follow:  
 - remove the lever  
 - turn the stem into the desired starting position (pos.1)  
 - reset the lever

Ø	DN	A	B	C	D	E	F	ØM	Square	ISO 5211	Part no.
8	G 1/4	115	80,5	75,7	38,5	61	40,5	9,5	9	F04	YR270008LM
10	G 3/8	115	80,5	75,7	38,5	61	40,5	11	9	F04	YR270010LM
15	G 1/2	115	80,5	75,7	38,5	61	40,5	12,7	9	F04	YR270015LM
20	G 3/4	115	86	86,5	44,5	73	45	16	9	F04	YR270020LM
25	G 1	135	94,5	102,5	52	83	56,5	20	9	F05	YR270025LM
32	G 1 1/4	180	103	118,5	58,5	96	60,5	25	11	F04 - F05	YR270032LM
40	G 1 1/2	205	124,5	126	64,5	106,5	78,5	32	11	F05 - F07	YR270040LM
50	G 2	205	131	149	75	126	87	38,1	14	F05 - F07	YR270050LM

Double acting/single acting



Double acting

Ø	DN	A	B	C	D	E	F	G	H	L	ØM	N	Part no.
8	G 1/4	157	40,5	67	24	30	41	61	75,7	38,5	9,5	142	YR270008DA
10	G 3/8	157	40,5	67	24	30	41	61	75,7	38,5	11	142	YR270010DA
15	G 1/2	157	40,5	67	24	30	41	61	75,7	38,5	12,7	142	YR270015DA
20	G 3/4	177	45	83	24	36,5	44,5	73	86,5	44,5	16	155	YR270020DA
25	G 1	196	56,5	83	24	36,5	44,5	83	103	52	20	155	YR270025DA
32	G 1 1/4	208	60,5	83	24	36,5	44,5	96	119	58,5	25	155	YR270032DA
40	G 1 1/2	244	78,5	100	24	42,5	49,5	106,5	126	64,5	32	213	YR270040DA
50	G 2	291	87	125	24	55	58	126	149	75	38,1	276	YR270050DA

Single acting

Ø	DN	A	B	C	D	E	F	G	H	L	ØM	N	Part no.
8	G 1/4	173	40,5	83	24	36,5	44,5	61	75,7	38,5	9,5	155	YR270008SR
10	G 3/8	173	40,5	83	24	36,5	44,5	61	75,7	38,5	11	155	YR270010SR
15	G 1/2	173	40,5	83	24	36,5	44,5	61	75,7	38,5	12,7	155	YR270015SR
20	G 3/4	194	45	100	24	42,5	49,5	73	86,5	44,5	16	213	YR270020SR
25	G 1	206	56,5	100	24	42,5	49,5	83	103	52	20	213	YR270025SR
32	G 1 1/4	225	60,5	100	24	42,5	49,5	96	119	58,5	25	213	YR270032SR
40	G 1 1/2	254	78,5	110	24	49	53	106,5	126	64,5	32	236	YR270040SR
50	G 2	318	87	142	34	64	69	126	149	75	38,1	310	YR270050SR

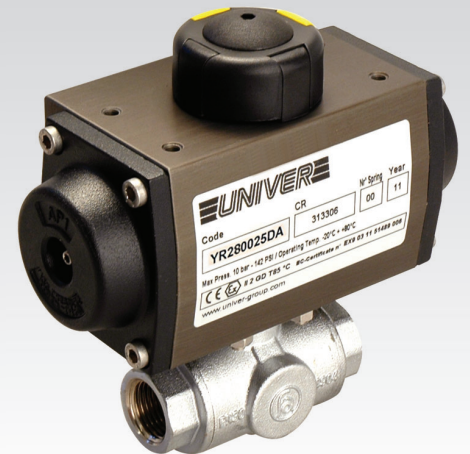
Actuator sizing: air supply actuator 5.5 bar (80 psi) min. with ΔP valve 16 bar (232 psi) max



# YR280

## Brass L-shaped ball valve 3/2 with manual lever or rotary actuator

- Full-bore ball valve
- Anti-blowout stem
- Antistatic device
- Top-flange according to DIN-ISO 5211



### TECHNICAL FEATURES

Temperature	-20 ÷ 160 °C		
Fluid	air, water, chemical agents, etc		
Working pressure	DN 1/4" ÷ DN3/4" PN30	DN 1" PN16	DN 1 1/4" ÷ DN 2" PN10
Thread ends	UNI ISO 7/1-Rp - DIN 2999 (GAS)		
Rotary angle	90°		
Flow direction	both directions		

### CONSTRUCTIVE FEATURES

Body	nickel-plated OT 58 (1)
End cap	nickel-plated OT 58 (2)
Ball	nickel-plated OT 58 (3)
Seat ring	P.T.F.E. (4)
Thrust washer	P.T.F.E. (5)
Gasket stem	P.T.F.E. (6)
Gland nut	nickel-plated OT 58 (7)
Piston rod	nickel-plated OT 58 (8)
O-ring	viton (9 - 10)

### CODIFICATION KEY

Y	R	2	8	0	0	1	0	D	A
1			2				3		

#### 1 Series

**YR280** = Brass L-shaped ball valve 3/2 with manual lever or rotary actuator

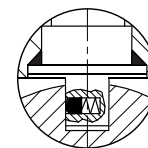
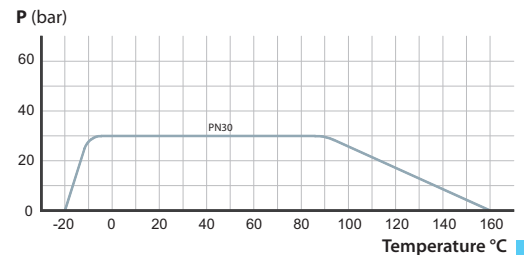
#### 2 Size

- 008** = 8 mm
- 010** = 10 mm
- 015** = 15 mm
- 020** = 20 mm
- 025** = 25 mm
- 032** = 32 mm
- 040** = 40 mm
- 050** = 50 mm

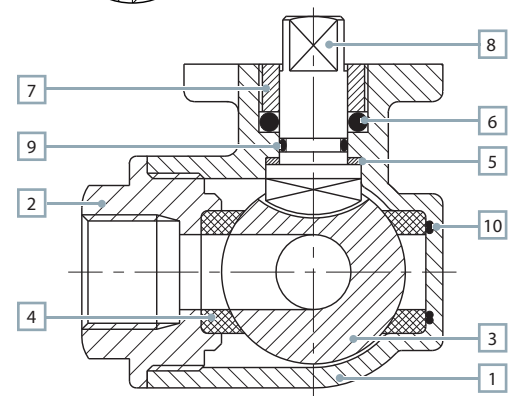
#### 3 Version

- LM** = manual lever
- DA** = double acting
- SR** = single acting

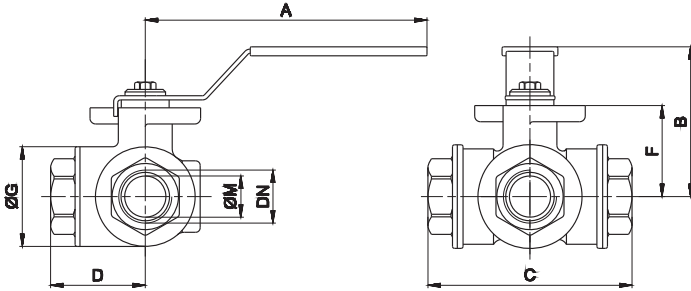
### Pressure - temperature diagram



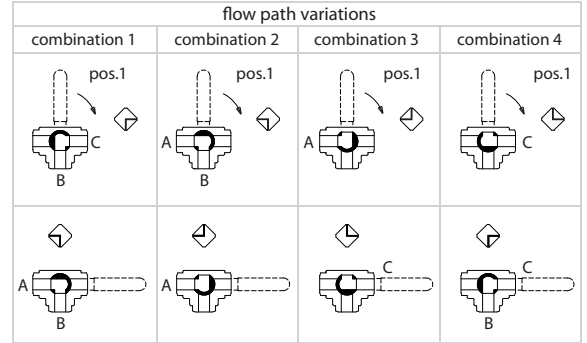
antistatic device



With manual lever



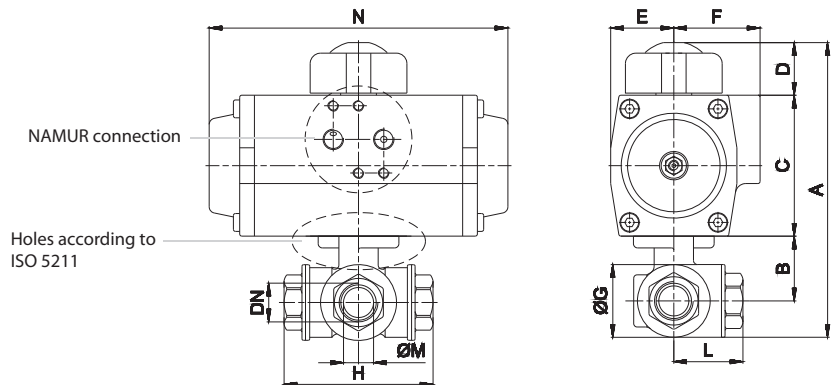
Operating draft



The ball holes position is showed on the stem milling  
 A, B, C = outlets      Lever rotation: 90°  
 To change outlets combination please operate as follow:  
 - remove the lever  
 - turn the stem into the desired starting position (pos.1)  
 - reset the lever

Ø	DN	A	B	C	D	F	ØG	ØM	Square	ISO 5211	Part no.
8	G1/4	120	59	65	53	32,5	34	10	9	F03	YR280008LM
10	G3/8	120	59	65	53	32,5	34	10	9	F03	YR280010LM
15	G1/2	120	62	78	60,5	32,5	40	14	9	F03	YR280015LM
20	G3/4	170	78	87	68	41,5	48	19	11	F05	YR280020LM
25	G1	170	83	105	82,5	47	60	24	11	F05	YR280025LM
32	G1 1/4	170	88	118	99	60	72	30	11	F05	YR280032LM
40	G1 1/2	220	111	134	114	74	86	38	14	F07	YR280040LM
50	G2	220	120,5	161	138	85	112	48	14	F07	YR280050LM

Double acting/spring return



Double acting

Ø	DN	A	B	C	D	E	F	ØG	H	L	ØM	N	Part no.
8	G1/4	118,5	32,5	45	24	22,5	22,5	34	65	53	10	115	YR280008DA
10	G3/8	118,5	32,5	45	24	22,5	22,5	34	65	53	10	115	YR280010DA
15	G1/2	143,5	32,5	67	24	30	41	40	78	60,5	14	142	YR280015DA
20	G3/4	172,5	41,5	83	24	36,5	44,5	48	87	68	19	155	YR280020DA
25	G1	184	47	83	24	36,5	44,5	60	105	82,5	24	155	YR280025DA
32	G1 1/4	203	60	83	24	36,5	44,5	72	118	99	30	155	YR280032DA
40	G1 1/2	241	74	100	24	42,5	49,5	86	134	114	38	213	YR280040DA
50	G2	265	85	100	24	42,5	49,5	112	161	138	48	213	YR280050DA

Spring return

Ø	DN	A	B	C	D	E	F	ØG	H	L	ØM	N	Part no.
8	G1/4	140,5	32,5	67	24	30	41	34	65	53	10	142	YR280008SR
10	G3/8	140,5	32,5	67	24	30	41	34	65	53	10	142	YR280010SR
15	G1/2	143,5	32,5	67	24	30	41	40	78	60,5	14	142	YR280015SR
20	G3/4	172,5	41,5	83	24	36,5	44,5	48	87	68	19	155	YR280020SR
25	G1	184	47	83	24	36,5	44,5	60	105	82,5	24	155	YR280025SR
32	G1 1/4	220	60	100	24	42,5	49,5	72	118	99	30	213	YR280032SR
40	G1 1/2	241	74	100	24	42,5	49,5	86	134	114	38	213	YR280040SR
50	G2	275	85	100	24	49	53	112	161	138	48	236	YR280050SR

Actuator sizing: air supply actuator 5.5 bar (80 psi) min. with ΔP valve 16 bar (232 psi) max