

MULTIFLUID 25 BAR

USE OF AP MULTIFLUID AT 25 BARS (360 PSI)

The patented AP system is suitable for inert gases and fluids.

By doubling the clamping brackets of every single joint and terminal of the system, the product can be used at a working pressure of up to 25 bar (360 psi).

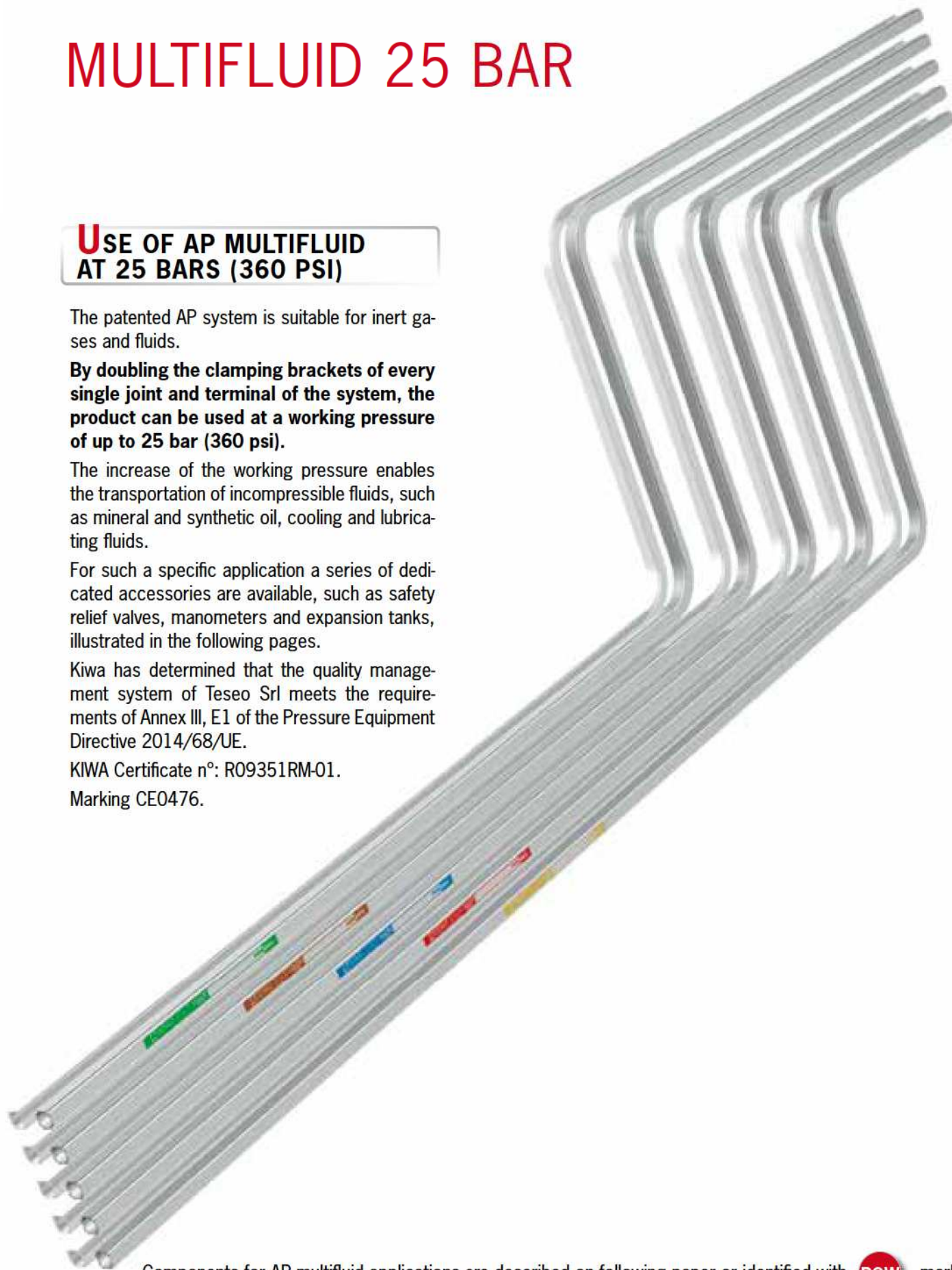
The increase of the working pressure enables the transportation of incompressible fluids, such as mineral and synthetic oil, cooling and lubricating fluids.

For such a specific application a series of dedicated accessories are available, such as safety relief valves, manometers and expansion tanks, illustrated in the following pages.

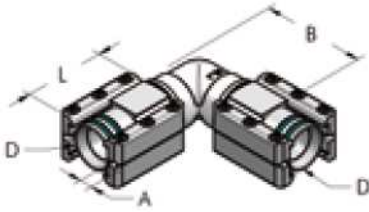
Kiwa has determined that the quality management system of Teseo Srl meets the requirements of Annex III, E1 of the Pressure Equipment Directive 2014/68/UE.







KIWA Certificate n°: R09351RM-01.

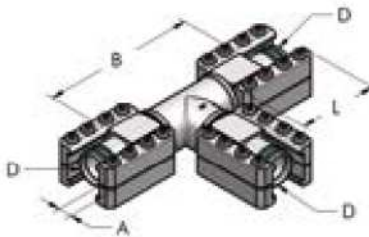
Marking CE0476.






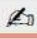


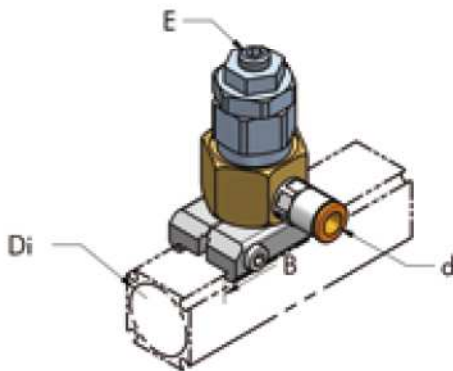
Components for AP multifluid applications are described on following paper or identified with  mark


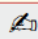

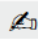


MULTIFLUID L JOINT, COMPLETE

D mm	L mm	A mm	B mm	Part. no.	P g	n°	
20	46	9	50	006 020 122	214	10	
25	60	10	65	006 025 122	330	10	
32	46	11	88	006 032 122	824	10	
40	80	12	100	006 040 122	640	10	
50	150	12	150	006 050 122	1500	10	

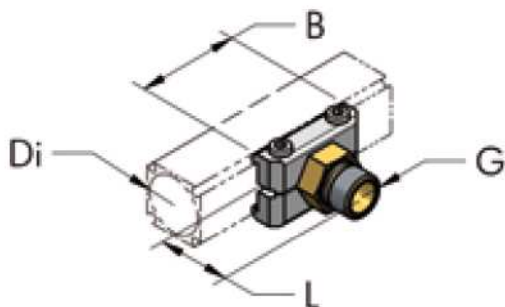
MULTIFLUID T JOINT, COMPLETE

D mm	L mm	A mm	B mm	Part. no.	P g	n°	
20	46	9	100	006 020 124	270	10	
25	60	10	130	006 025 124	425	10	
32	46	11	120	006 032 124	1130	10	
40	80	12	160	006 040 124	890	10	
50	150	12	245	006 050 124	2100	10	

OUTLET PLATE WITH PRESSURE VALVE, COMPLETE

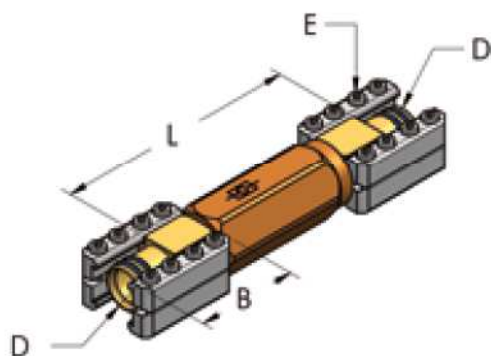
Di mm	d mm	B mm	E mm	Part. no.	P g	n°	
20	8	46	5	006 020 080	48	10	
25	8	56	5	006 025 080	50	10	
32	8	50	5	006 032 080	310	10	
40	8	70	5	006 040 080	220	10	
50	8	74	5	006 050 080	300	10	

OUTLET PLATE FOR EXPANSION TANK, COMPLETE



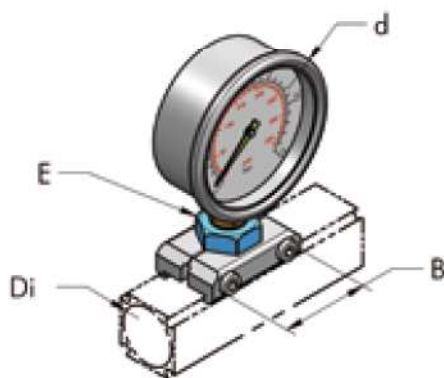
Di mm	G	L mm	B mm	Part. no.	P g	n°	
20	M18x1,5	32	46	006 020 081	45	10	
25	M18x1,5	33	46	006 025 081	71	10	
32	M18x1,5	32	50	006 032 081	70	10	
40	M18x1,5	36	70	006 040 081	136	10	
50/63	M18x1,5	36	74	006 050 081	197	10	

NON-RETURN VALVE, COMPLETE

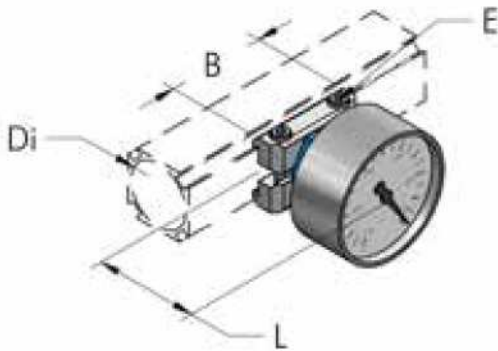








D mm	L mm	B mm	E mm	Part. no.	P Kg	n°	
20	130	46	4	006 020 047	0,35	1	
25	145	60	4	006 025 047	0,82	1	
32	172	46	4	006 032 047	1	1	
40	210	80	5	006 040 047	2,2	1	
50	300	150	5	006 050 047	3,4	1	

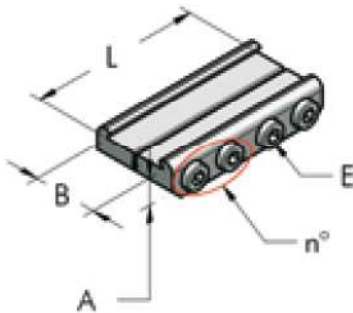
GLYCERYNE MANOMETER, COMPLETE



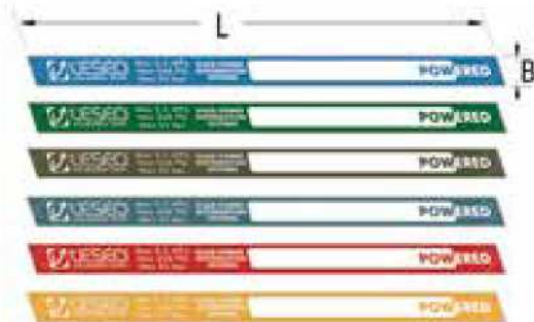
Di mm	d mm	B mm	E mm	Part. no.	P g	n°	
20	70	46	22	006 020 049	240	10	
25	70	56	22	006 025 049	250	10	
32	70	50	30	006 032 049	275	10	
40	70	70	36	006 040 049	345	10	
50	70	74	50	006 050 049	400	10	


VACUUM MANOMETER, COMPLETE

Di mm	L mm	E mm	B mm	Part. no.	P g	n°	
20	60	4	46	006 020 348	70	10	
25	60	4	56	006 025 348	75	10	
32	60	4	50	006 032 348	210	10	
40	60	5	70	006 040 348	174	10	
50/63	60	5	74	006 050 348	230	10	

CONNECTION CLAMP, COMPLETE

A mm	B mm	E mm	L mm	n°	Part. no.	P g	n°	
9	20	4	46	2	006 020 072	32	10	
10	25	4	64	4	006 025 072	60	10	
11	32	4	95	3	006 032 130	130	10	
12	40	5	80	3	006 040 072	120	10	
12	50/63	5	150	4	006 050 072	285	10	

25 BAR ADHESIVE COLOUR STICKERS

L mm	B mm	Colour	Part. no.	P g	n°	
310	15	Blue RAL 5015	104 515 310	29	11	
310	15	Green RAL 6029	104 515 315	29	11	
310	15	Brown RAL 8003	104 515 316	29	11	
310	15	Grey RAL 7000	104 515 317	29	11	
310	15	Red RAL 3020	104 515 318	29	11	
310	15	Yellow RAL 1028	104 515 319	29	11	
310	28	Blue RAL 5015	104 525 150	29	11	
310	28	Green RAL 6029	104 528 315	29	11	
310	28	Brown RAL 8003	104 528 316	29	11	
310	28	Grey RAL 7000	104 528 317	29	11	
310	28	Red RAL 3020	104 528 318	29	11	
310	28	Yellow RAL 1028	104 528 319	29	11	

COMPRESSED AIR AND FLUIDS PIPING SYSTEMS



MODULAR MANIFOLDS INTEGRATED ON MACHINES



AP

