

HA

Technopolymer Push-In Fittings

Push-In fittings allow a quick connection of the pneumatic system and facilitate maintenance or replacement of pneumatic components.



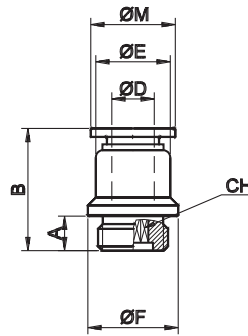
TECHNICAL CHARACTERISTICS

Temperature	-10 ÷ 80 °C
Fluid	compressed air, vacuum
Working pressure	-0,99 ÷ 10 bar
Application fields	pneumatic circuits
Recommended hoses	polyamide PA 10.12, polyurethane Sh.A98 co-polyurethane Sh.55D

CONSTRUCTIVE CHARACTERISTICS

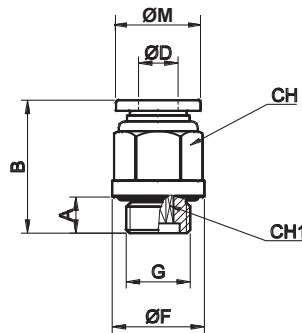
Body	technopolymer
Fixing elements	nickel-plated brass with O-ring in NBR for parallel thread version (standard) teflon coating for taper thread version (upon request)
Clamp	stainless steel
Release ring	technopolymer

HA02 Smooth body straight parallel male



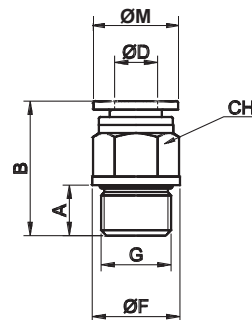
Part No.	A	B	CH	ØD	E	F	G	ØM
HA0204M5	4	20.8	2	4	10	-	M5	10
HA0206M5	4	22.4	2	6	12	-	M5	12
HA020418	5.5	19.3	3	4	10	14	G1/8	10
HA020618	5.5	20.2	4	6	12	14	G1/8	12
HA020818	5.5	27.1	5	8	14	14	G1/8	14
HA020414	6.5	17.4	3	4	10	17	G1/4	10
HA020614	6.5	20.9	4	6	12	17	G1/4	12
HA020814	6.5	23	5	8	9.9	17	G1/4	14
HA021014	6.5	29.9	6	10	18	17	G1/4	17
HA020838	7.5	22.1	6	8	14	20	G3/8	14
HA021038	7.5	25.9	8	10	17	20	G3/8	17
HA021238	7.5	28.6	8	12	21	21	G3/8	20
HA021012	9.5	35.3	8	10	17	24	G1/2	17
HA021212	9.5	31.1	8	12	21	24	G1/2	20

HA04 Straight parallel male



Part No.	A	B	ØD	CH	CH1	ØF	G	ØM
HA0404M5	4	20.8	4	10	2	8	M5	10
HA0406M5	4	22.5	6	12	2	8	M5	12
HA040418	5.5	19.3	4	10	3	14	G1/8	10
HA040618	5.5	20.2	6	12	4	14	G1/8	12
HA040818	5.5	27.1	8	14	5	-	G1/8	14
HA040414	6.5	17.4	4	10	3	17	G1/4	10
HA040614	6.5	20.9	6	12	4	17	G1/4	12
HA040814	6.5	23	8	14	5	17	G1/4	14
HA041014	6.5	29.9	10	17	6	17	G1/4	17
HA040838	7.5	22.1	8	14	6	20	G3/8	14
HA041038	7.5	25.9	10	17	8	20	G3/8	17
HA041238	7.5	28.6	12	21	8	21	G3/8	20
HA041012	9.5	24.5	10	17	8	24	G1/2	17
HA041212	9.5	31.1	12	21	8	24	G1/2	20

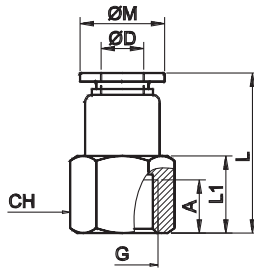
HA06 Plastic straight parallel male



Part No.	A	B	ØD	CH	ØF	G	ØM
HA060618	6.5	24.4	6	12	14.2	G1/8	12
HA060818	6.5	26.3	8	14	16.5	G1/8	14
HA060614	8.5	23.4	6	14	16.5	G1/4	12
HA060814	8.5	25.3	8	14	16.5	G1/4	14
HA061014	8.5	32.4	10	17	19.9	G1/4	17
HA060838	9.5	23.5	8	17	20.6	G3/8	14
HA061038	9.5	29.4	10	17	20.6	G3/8	17
HA061238	9.5	30.3	12	21	24.5	G3/8	20
HA061012	12	30.4	10	21	24.5	G1/2	17
HA061212	12	33.3	12	21	24.5	G1/2	20

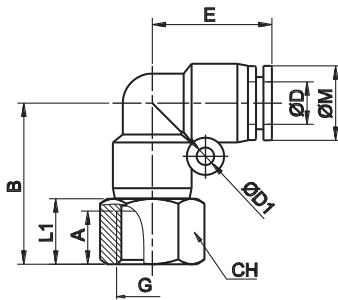
5

HA07 Straight female



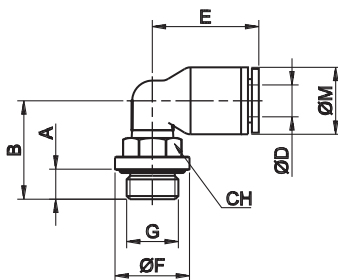
Part No.	A	CH	ØD	G	L	L1	ØM
HA070418	7	14	4	G1/8	23.8	10	10
HA070618	7	14	6	G1/8	25.2	11	12
HA070818	7	14	8	G1/8	27.1	11.5	14
HA070614	10	17	6	G1/4	28.2	14	12
HA070814	10	17	8	G1/4	30.1	14.5	14
HA071014	10	17	10	G1/4	22.3	14.5	17
HA070838	11	21	8	G3/8	31.1	15.5	14
HA071038	11	21	10	G3/8	33.3	15.5	17
HA071238	11	21	12	G3/8	35.6	14	20
HA071212	13	24	12	G1/2	37.6	17.5	20

HA08 Swivel elbow female



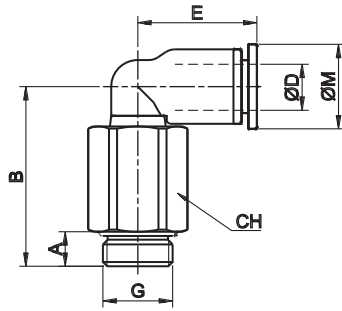
Part No.	A	B	CH	ØD	ØD1	E	G	L1	ØM
HA080418	7	23	14	4	NO	17.5	G1/8	9.5	10
HA080618	7	24.4	14	6	3.3	18.7	G1/8	9.7	12
HA080818	7	27.3	14	8	3.3	22.5	G1/8	9.3	14
HA080614	10	27.4	17	6	3.3	18.7	G1/4	12.7	12
HA080814	10	30.3	17	8	3.3	22.5	G1/4	12.3	14
HA081014	10	34.3	17	10	4.3	27.2	G1/4	12	17
HA080838	11	32	21	8	3.3	22.5	G3/8	14	14
HA081038	11	36.3	21	10	4.3	27.2	G3/8	14	17
HA081238	11	38	21	12	4.3	29.3	G3/8	14	20
HA081212	13	40.5	24	12	4.3	29.3	G1/2	16.5	20

HA10B Low elbow



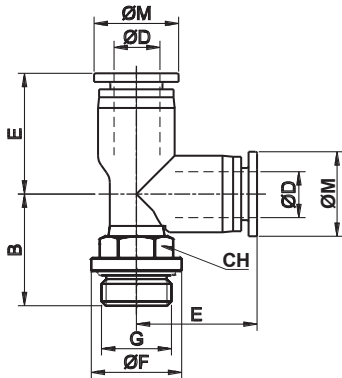
Part No.	A	B	CH	ØD	E	ØF	G	ØM
HA10B04M5	4	15.4	8	4	18.8	-	M5	10.5
HA10B06M5	4	16.5	8	6	20	-	M5	12.6
HA10B0418	5.5	17.5	10	4	18.8	14	G1/8	10.8
HA10B0618	5.5	18.5	10	6	20	14	G1/8	12.6
HA10B0818	5.5	22	14	8	22.5	14	G1/8	14.3
HA10B0414	6.5	19	10	4	18.8	17	G1/4	10.6
HA10B0614	6.5	20	10	6	20	17	G1/4	12.6
HA10B0814	6.5	20.5	12	8	22.5	17	G1/4	14
HA10B1014	6.5	24.3	17	10	26.9	17	G1/4	18
HA10B0838	7.5	21.6	12	8	22.5	20	G3/8	14.2
HA10B1038	7.5	22.8	20	10	26.9	20	G3/8	18
HA10B1238	7.5	24.3	20	12	28.5	20	G3/8	21
HA10B1012	9	25.7	17	10	26.9	24	G1/2	18.3
HA10B1212	9	27.2	17	12	28.5	24	G1/2	21

HA12B Extended swivel low elbow parallel male



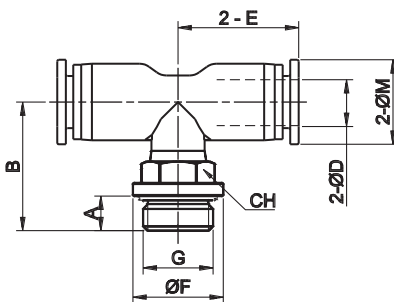
Part No.	A	B	CH	ØD	E	G	ØM
HA12B04M5	4	32.5	8	4	18.8	M5	11.9
HA12B06M5	4	33.5	8	6	20	M5	13.9
HA12B0418	5.5	30.5	14	4	18.8	G1/8	11.9
HA12B0618	5.5	31.5	14	6	20	G1/8	13.9
HA12B0818	5.5	37.8	14	8	22.5	G1/8	15.9
HA12B0414	6.5	30.5	17	4	18.8	G1/4	11.9
HA12B0614	6.5	31.5	17	6	20	G1/4	13.9
HA12B0814	6.5	33.8	17	8	22.5	G1/4	15.9
HA12B1014	6.5	46.4	17	10	26.9	G1/4	19.5
HA12B0638	7.5	32.6	20	6	20	G3/8	13.9
HA12B0838	7.5	34.9	20	8	22.5	G3/8	15.9
HA12B1038	7.5	43.4	20	10	26.9	G3/8	19.5
HA12B1238	7.5	44.9	20	12	28.5	G3/8	23
HA12B1012	9	45.3	24	10	26.9	G1/2	19.5
HA12B1212	9	46.8	24	12	28.5	G1/2	23

HA14B Low lateral Tee male



Part No.	A	B	ØD	E	ØF	G	H	ØM	CH
HA14B04M5	4	19.2	4	18	-	M5	8	11.9	8
HA14B06M5	4	20.2	6	20	-	M5	8	13.9	8
HA14B0418	5.5	18.1	4	18	14	G1/8	10	11.9	10
HA14B0618	5.5	19.1	6	20	14	G1/8	10	13.9	10
HA14B0818	5.5	22.5	8	22.7	14	G1/8	14	15.9	10
HA14B0614	6.5	20.6	6	20	17	G1/4	10	13.9	12
HA14B0814	6.5	21	8	22.7	12	G1/4	12	15.9	12
HA14B1014	6.5	25.4	10	26.9	17	G1/4	17	19.5	12
HA14B0838	7.5	22.1	8	22.7	20	G3/8	12	15.9	14
HA14B1038	7.5	23.9	10	26.9	20	G3/8	20	19.5	14
HA14B1238	7.5	25.1	12	29.3	20	G3/8	20	23	14
HA14B1012	9	26.8	10	26.9	24	G1/2	17	19.5	17
HA14B1212	9	28	12	29.3	24	G1/2	17	23	17

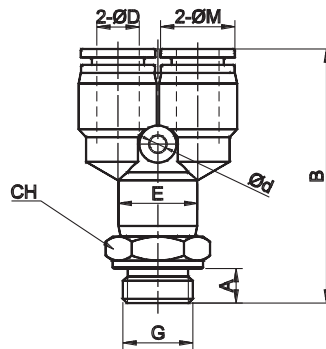
HA16B Low central Tee male



Part No.	A	B	CH	ØD	E	ØF	G	ØM
HA16B04M5	4	21.1	8	4	18	-	M5	11.9
HA16B06M5	4	22.2	8	6	20	-	M5	13.9
HA16B0418	5.5	20	10	4	18	14	G1/8	11.9
HA16B0618	5.5	21.1	10	6	20	14	G1/8	13.9
HA16B0818	5.5	25.7	14	8	22.7	14	G1/8	15.9
HA16B0614	6.5	22.6	10	6	20	17	G1/4	13.9
HA16B0814	6.5	24.2	12	8	22.7	17	G1/4	15.9
HA16B1014	6.5	27.6	17	10	26.9	17	G1/4	19.5
HA16B0838	7.5	25.3	12	8	22.7	20	G3/8	15.9
HA16B1038	7.5	26.1	20	10	26.9	20	G3/8	19.5
HA16B1238	7.5	27.4	20	12	29.3	20	G3/8	23
HA16B1012	9	29	17	10	26.9	24	G1/2	19.5
HA16B1212	9	30.3	17	12	29.3	24	G1/2	23

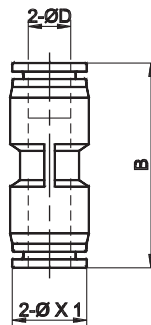
5

HA18 Y parallel male



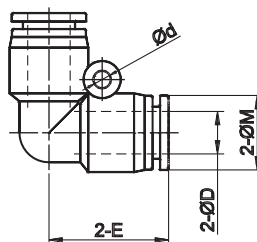
Part No.	A	B	CH	ØD	Ød	E	G	ØM
HA1804M5	4	39.5	10	4	3.3	11	M5	10
HA1806M5	4	40	12	6	3.3	11	M5	12
HA180418	5.5	42.5	12	4	3.3	11	G1/8	10
HA180618	5.5	43.5	14	6	3.3	13	G1/8	12
HA180818	5.5	46.3	14	8	3.3	15	G1/8	14
HA180614	6.5	45	14	6	3.3	13	G1/4	12
HA180814	6.5	47.8	17	8	3.3	15	G1/4	14
HA181014	6.5	56.5	17	10	4.3	18	G1/4	17
HA180838	7.5	49.3	17	8	3.3	15	G3/8	14
HA181038	7.5	58	20	10	4.3	18	G3/8	17
HA181238	7.5	60.4	21	12	4.3	21	G3/8	20
HA181012	9.5	61.5	19	10	4.3	18	G1/2	17
HA181212	9.5	63.9	24	12	4.3	21	G1/2	20

HA19 Intermediate straight



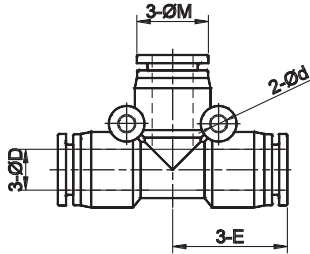
Part No.	B	ØD	ØM
HA190400	33	4	10
HA190600	34.6	6	12
HA190604	31	4	13.9
HA190800	38.5	8	14
HA190806	34.6	6	15.9
HA191000	47	10	17
HA191008	39.4	8	19.5
HA191200	48.6	12	20
HA191210	44.2	12	23

HA20 Intermediate elbow



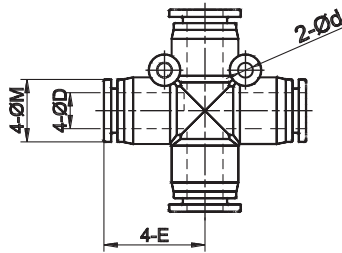
Part No.	ØD	Ød	E	ØM
HA200400	4	NO	17.5	10
HA200600	6	3.3	18.7	12
HA200800	8	3.3	22.5	14
HA201000	10	4.3	27.2	17
HA201200	12	4.3	28.9	20

HA21 Intermediate lateral Tee



Part No.	ØD	Ød	E	ØM
HA210400	4	3.3	18.5	10
HA210600	6	3.3	19	12
HA210800	8	3.3	22.45	14
HA211000	10	4.3	27.9	17
HA211200	12	4.3	29.3	20

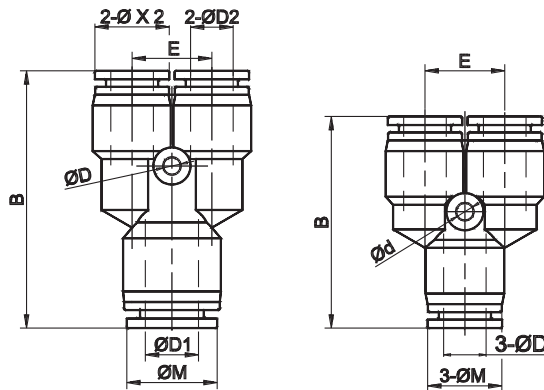
HA22 Intermediate cross



Part No.	ØD	Ød	E	ØM
HA220400	4	3.3	17.5	10
HA220600	6	3.3	19	12
HA220800	8	3.3	22.5	14
HA221000	10	4.3	27.9	17
HA221200	12	4.3	29.3	20

5

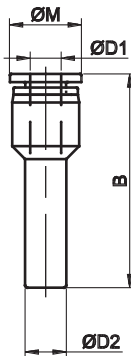
HA23 Intermediate Y connector



Part No.	B	ØD	Ød	E	ØM
HA230404	35.5	4	3.3	11	10
HA230606	36.5	6	3.3	13	12
HA230808	39.8	8	3.3	15	14
HA231010	48.9	10	4.3	18	17
HA231212	52.6	12	4.3	21	20

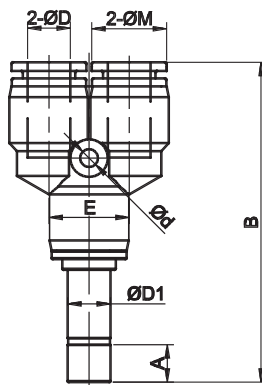
Part No.	B	ØD	ØD1	ØD2	E	ØM	X2
HA230604	36	3.3	6	4	11	12	10
HA230806	39.8	3.3	8	6	13	14	12
HA231008	48.4	3.3	10	8	15	17	14
HA231210	51.4	4.3	12	10	18	20	17

HA24 Reducing stem



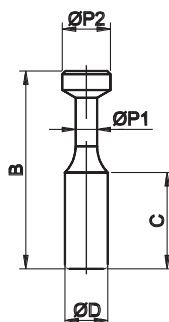
Part No.	B	ØD1	ØD2	ØM
HA240406	39.5	4	6	10
HA240408	41.5	4	8	10
HA240608	41.5	6	9	12
HA240610	46.5	6	10	12
HA240810	46.8	8	10	14
HA240812	46.8	8	12	14
HA241012	52.2	10	12	17

HA25 Y connector with male stem



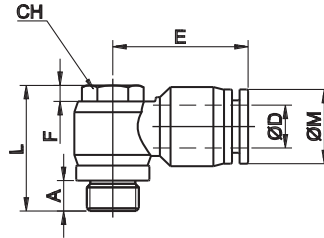
Part No.	A	B	Ød	ØD	ØD1	E	ØM
HA250400	5.5	58	3.3	4	4	11	10
HA250600	6.5	61	3.3	6	6	13	12
HA250800	7	66.3	3.3	8	8	15	14
HA251000	7.5	79.1	4.3	10	10	18	17
HA251200	7.5	85.4	4.3	12	12	21	20

HA26 Plug



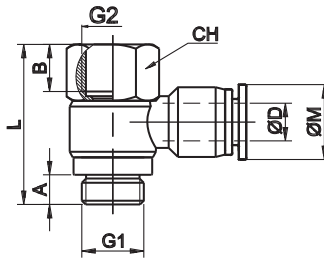
Part No.	B	C	ØD	ØP1	ØP2
HA260400	28	15	4	3	5
HA260600	33	17	6	3	7
HA260800	37	18	8	4	9
HA261000	42	20.5	10	5	11
HA261200	44	23	12	6	13

HA27 Swivel banjo connector (parallel male thread) with wrench head



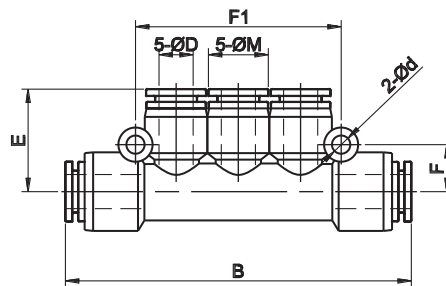
Part No.	A	ØD	E	F	G	CH	L	ØM
HA2704M5	3.5	4	20	10	M5	8	17.2	10
HA2706M5	3.5	6	21.7	12	M5	8	17.2	12
HA270418	5.7	4	22.3	3	G1/8	10	23.5	10
HA260618	5.7	6	22.9	3	G1/8	10	23.5	12
HA270818	5.7	8	25.3	3	G1/8	10	23.5	14
HA270614	6.3	6	24.9	4	G1/4	14	26	12
HA270814	6.3	8	28.4	4	G1/4	14	26	14
HA271014	6.3	10	30.2	4	G1/4	14	26	17
HA270838	7.5	8	29.3	4.5	G3/8	19	31.7	14
HA271038	7.5	10	32.5	4.5	G3/8	19	31.7	17
HA271238	7.5	12	35.3	4.5	G3/8	19	31.7	20
HA271012	9.5	10	35.5	5	G1/2	24	36.6	17
HA271212	9.5	12	36.3	5	G1/2	24	36.6	20

HA28 Swivel banjo connector parallel male-female



Part No.	A	B	CH	ØD	G1	G2	L	ØM
HA2804M5	3.5	5	8	4	M5	M5	19.7	10
HA2806M5	3.5	5	8	6	M5	M5	19.7	12
HA280418	5.7	7	14	4	G1/8	G1/8	29.5	10
HA280618	5.7	7	14	6	G1/8	G1/8	29.5	12
HA280818	5.7	7	14	8	G1/8	G1/8	29.5	14
HA280614	6.3	10	17	6	G1/4	G1/4	34	12
HA280814	6.3	10	17	8	G1/4	G1/4	34	14
HA281014	6.3	10	17	10	G1/4	G1/4	34	17
HA280838	7.5	11	21	8	G3/8	G3/8	40.2	14
HA281038	7.5	11	21	10	G3/8	G3/8	40.2	17
HA281238	7.5	11	21	12	G3/8	G3/8	40.2	20
HA281012	9.5	13	24	10	G1/2	G1/2	45.5	17
HA281212	9.5	13	24	12	G1/2	G1/2	45.5	20

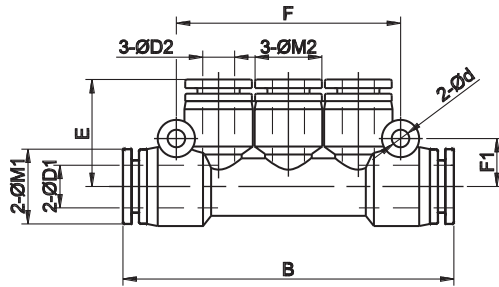
HA29 Triple branch lateral Tee



Part No.	B	ØD	Ød	E	F	F1	ØM
HA290400	57	4	3.3	19	8	36	10
HA290600	61	6	3.3	24	9	42	12
HA290800	81	8	4.3	24	11	48	14

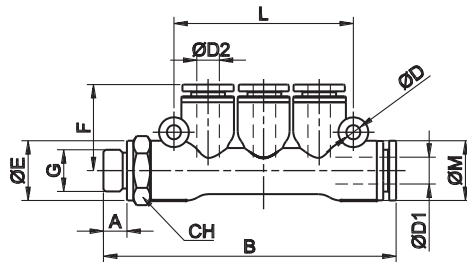
5

HA30 Triple branch lateral Tee



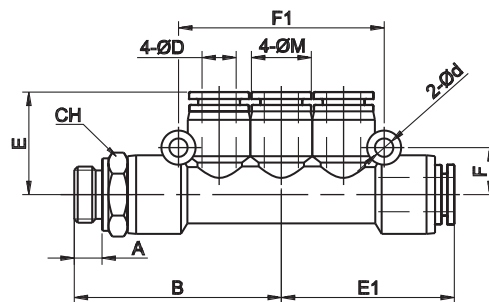
Part No.	B	Ød	ØD1	ØD2	E	F	F1	ØM1	ØM2
HA300604	57	3.3	6	4	19	36	8	12	10
HA300804	62	3.3	8	4	20	42	9	14	10
HA300806	62	3.3	8	6	20	42	9	14	12
HA301006	81.8	4.3	10	6	23.5	48	11	17	12
HA301008	81.8	4.3	10	8	23.5	48	11	17	14

HA31 Triple branch lateral Tee male thread



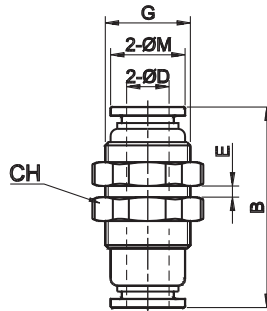
Part No.	A	B	CH	ØD	ØD1	ØD2	ØE	F	G	L	ØM
HA314618	5.5	64.1	14	3.3	6	4	14	19	G1/8	36	12
HA314814	6.5	70	17	3.3	8	4	17	20	G1/4	42	14
HA316814	7.5	71.4	17	3.3	8	6	17	20	G1/4	42	14
HA318138	7.5	91.1	20	3.3	10	8	20	24	G3/8	48	17
HA318112	9.5	95.1	24	3.3	10	8	24	24	G1/2	42	17

HA32 Triple branch lateral Tee male thread



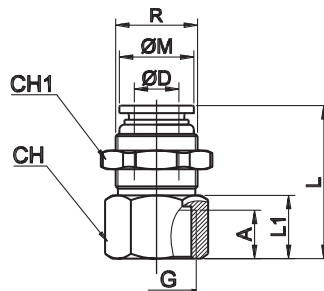
Part No.	A	B	CH	ØD	Ød	E	E1	F	F1	G	ØM
HA320418	5.5	35.5	12	4	3.3	19	28.5	8	36	G1/8	10
HA320618	5.5	37.5	14	6	3.3	24	30.5	9	42	G1/8	12
HA320818	5.5	47	14	8	4.3	24	40.5	11	48	G1/8	14
HA320414	6.5	37	12	4	3.3	19	28.5	8	36	G1/4	10
HA320614	6.5	39	14	6	3.3	24	30.5	9	42	G1/4	12
HA320814	6.5	48.5	17	8	4.3	24	40.5	11	48	G1/4	14
HA320638	7.5	50	17	6	4.3	24	40.5	11	48	G3/8	12
HA320838	7.5	50	17	8	4.3	24	40.5	11	48	G3/8	14

HA33 Bulkhead connector



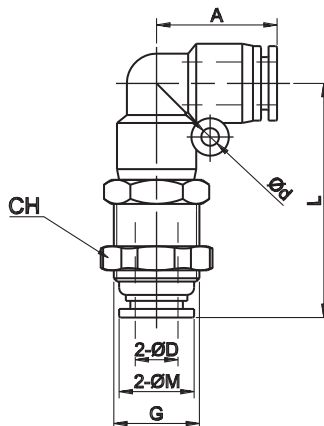
Part No.	B	CH	ØD	E	G	ØM
HA330004	31.1	14	4	11.9	M12	10
HA330006	33.4	17	6	10.7	M14	12
HA330008	37.7	19	8	11	M16	14
HA330010	41.8	24	10	13.1	M20	17
HA330012	46.7	27	12	16	M22	20

HA34 Threaded bulkhead connector



Part No.	A	CH	CH1	ØD	G	ØM	L	L1	R
HA340418	8	14	14	4	G1/8	10	23.8	11	M12
HA340618	8	17	17	6	G1/8	12	27	9	M14
HA340818	8	19	19	8	G1/8	14	32.1	10	M16
HA340414	11	17	14	4	G1/4	10	27.3	14	M12
HA340614	11	17	17	6	G1/4	12	30	13	M14
HA340814	11	19	19	8	G1/4	14	35.1	14	M16
HA341014	11	24	24	10	G1/4	17	36	14	M20
HA340838	12	21	19	8	G3/8	14	36.1	15	M16
HA341038	12	24	24	10	G3/8	17	37	15	M20
HA341238	12	24	27	12	G3/8	20	39.1	15	M22
HA341012	14	24	24	10	G1/2	17	38	19	M20
HA341212	14	24	27	12	G1/2	20	41.1	19	M22

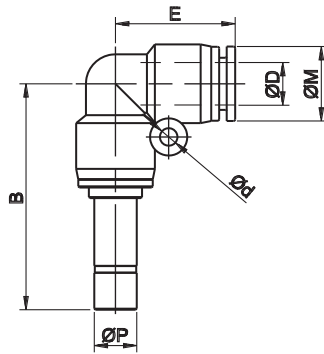
HA35 Elbow bulkhead connector



Part No.	A	CH	ØD	Ød	G	L	ØM
HA350004	17.5	14	4	3.3	M12	31.3	10
HA350006	18.7	17	6	3.3	M14	37.9	12
HA350008	22.5	19	8	3.3	M16	43.6	14
HA350010	27.2	24	10	4.3	M20	51.2	17
HA350012	29.3	27	12	4.3	M22	56.1	20

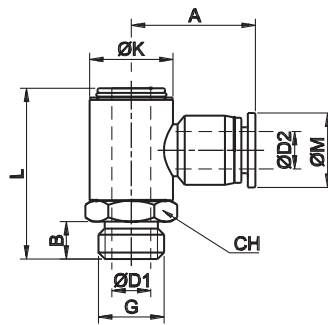
5

HA38 Stem elbow



Part No.	B	ØD	Ød	E	ØM	P
HA380400	33	4	-	17.5	10	4
HA380600	36.2	6	3.3	18.7	12	6
HA380800	42.5	8	3.3	22.5	14	8
HA381000	50.8	10	4.3	27.2	17	10
HA381200	54.5	12	4.3	29.3	20	12

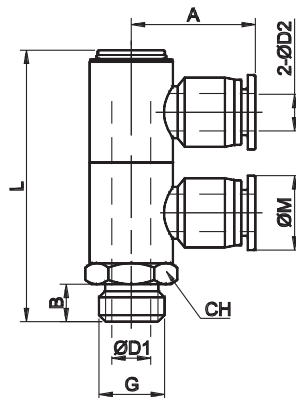
HA41 Swivel banjo connector (parallel thread) with allen head



Part No.	A	B	CH	ØD1	ØD2	G	ØK	L	ØM
HA410418	22.5	5.5	14	6	4.2	G1/8	14	28.5	11
HA410618	21.5	5.5	14	6	6.2	G1/8	14	28.5	13
HA410818	24.5	5.5	14	6	8.2	G1/8	14	28.5	14.8
HA410414	24.5	6.5	17	8.3	4.2	G1/4	17.8	36.5	11
HA410614	23.5	6.5	17	8.3	6.2	G1/4	17.8	36.5	13
HA410814	26.4	6.5	17	8.3	8.2	G1/4	17.8	36.5	14.8
HA411014	29.9	6.5	17	8.3	10.2	G1/4	17.8	36.5	18.4
HA411214	30.8	6.5	17	8.3	12.3	G1/4	17.8	36.5	21
HA410438	32	9	17	11.5	4.2	G3/8	21.9	39.2	11
HA410638	32	9	17	11.5	6.2	G3/8	21.9	39.2	13
HA410838	28.4	7.5	20	11.5	8.2	G3/8	21.9	39.2	14.8
HA411038	31.9	7.5	20	11.5	10.2	G3/8	21.9	39.2	18.4
HA411238	32.8	7.5	20	11.5	12.3	G3/8	21.9	39.2	21
HA410812	28.5	9.5	24	14	8.2	G1/2	27.1	42.7	14.8
HA411012	34.5	9.5	24	14	10.2	G1/2	27.1	42.7	18.4
HA411212	35.4	9.5	24	14	12.3	G1/2	27.1	42.7	21

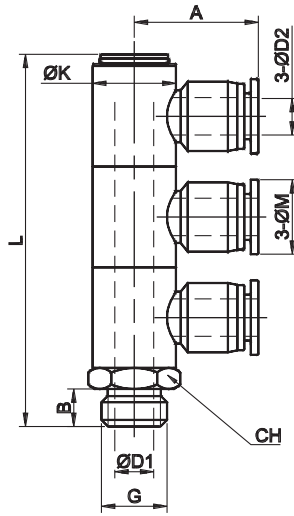
5

HA42 Double banjo connector (parallel thread) with allen head



Part No.	A	B	CH	ØD1	ØD2	G	ØK	L	ØM
HA420418	22.5	5.5	14	6	4.2	G1/8	14	43.8	11
HA420618	21.5	5.5	14	6	6.2	G1/8	14	43.8	13
HA420818	24.5	5.5	14	6	8.2	G1/8	14	43.8	14.8
HA420414	24.5	6.5	17	8.3	4.2	G1/4	17.8	58	11
HA420614	23.5	6.5	17	8.3	6.2	G1/4	17.8	58	13
HA420814	26.4	6.5	17	8.3	8.2	G1/4	17.8	58	14.8
HA421014	29.9	6.5	17	8.3	10.2	G1/4	17.8	58	18.4
HA421214	30.8	6.5	17	8.3	12.3	G1/4	17.8	58	21
HA420438	24.5	7.5	20	11.5	4.2	G3/8	21.9	60.7	11
HA420638	26.4	7.5	20	11.5	6.2	G3/8	21.9	60.7	13
HA420838	28.4	7.5	20	11.5	8.2	G3/8	21.9	60.7	14.8
HA421038	31.9	7.5	20	11.5	10.2	G3/8	21.9	60.7	18.4
HA421238	32.8	7.5	20	11.5	12.3	G3/8	21.9	60.7	21
HA420812	28.5	9.5	24	14	8.2	G1/2	27.1	64.2	14.8
HA421012	34.5	9.5	24	14	10.2	G1/2	27.1	64.2	18.4
HA421212	35.4	9.5	24	14	12.3	G1/2	27.1	64.2	21

HA43 Triple banjo connector (parallel thread) with allen head



Part No.	A	B	CH	ØD1	ØD2	G	ØK	L	ØM
HA430418	22.5	5.5	14	6	4.2	G1/8	14	59.1	11
HA430618	21.5	5.5	14	6	6.2	G1/8	14	59.1	13
HA430818	24.5	5.5	14	6	8.2	G1/8	14	59.1	14.8
HA430414	24.5	6.5	17	8.3	4.2	G1/4	17.8	79.5	11
HA430614	23.5	6.5	17	8.3	6.2	G1/4	17.8	79.5	13
HA430814	26.4	6.5	17	8.3	8.2	G1/4	17.8	79.5	14.8
HA431014	29.9	6.5	17	8.3	10.2	G1/4	17.8	79.5	18.4
HA431214	30.8	6.5	17	8.3	12.3	G1/4	17.8	79.5	21
HA430438	24.5	7.5	20	11.5	4.2	G3/8	21.9	82.2	11
HA430638	26.4	7.5	20	11.5	6.2	G3/8	21.9	82.2	13
HA430838	28.4	7.5	20	11.5	8.2	G3/8	21.9	82.2	14.8
HA431038	31.9	7.5	20	11.5	10.2	G3/8	21.9	82.2	18.4
HA431238	32.8	7.5	20	11.5	12.3	G3/8	21.9	82.2	21
HA430812	28.5	9.5	24	14	8.2	G1/2	27.1	85.7	14.8
HA431012	34.5	9.5	24	14	10.2	G1/2	27.1	85.7	18.4
HA431212	36.4	9.5	24	14	12.3	G1/2	27.1	85.7	21

■ Teflon coated taper thread
(available upon request for all HA models)



HAR

Space-saving Fittings

Plug-in fittings allow a quick connection of the system by optimizing the space and they facilitate maintenance and replacement of installations.



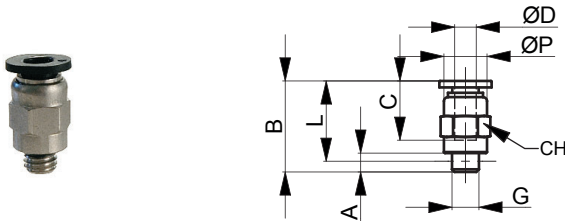
TECHNICAL CHARACTERISTICS

Temperature	0 ÷ 60 °C
Fluid	compressed air, vacuum
Working pressure	-0,99 ÷ 10 bar
Application fields	pneumatic circuits
Recommended hoses	polyamide PA 10.12, polyurethane Sh.A98 co-polyurethane Sh.55D

CONSTRUCTIVE CHARACTERISTICS

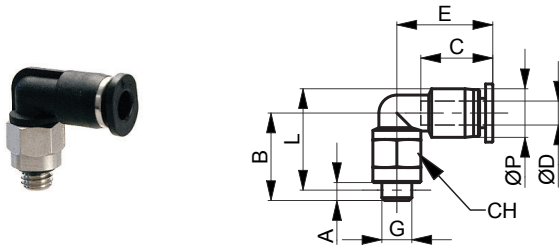
Body	technopolymer
Fixing elements	nickel-plated brass with O-ring in NBR
Clamp	stainless steel
Release ring	technopolymer

HAR04 T Miniature straight male



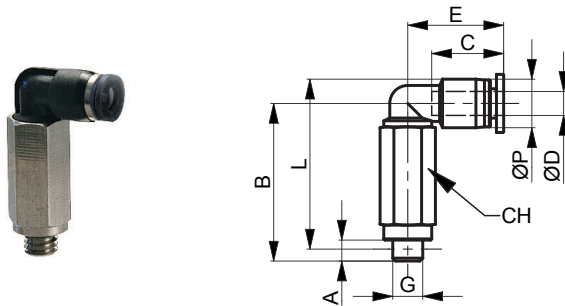
Part No.	ØD	G	A	B	L	ØP	C	CH
HAR0403M3	3	M3x0.5	3.0	14.6	13.5	5.5	10.6	5.5
HAR0404M3	4	M3x0.5	3.0	16.4	15.6	8.0	11	8.0
HAR0404M5	4	M5x0.8	3.5	16.9	15.6	8.0	11	8.0

HAR10B Miniature swivel elbow male



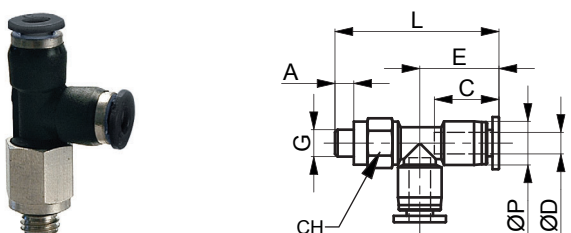
Part No.	ØD	G	A	B	L	ØP	C	E	CH
HAR10B03M3	3	M3x0.5	3.0	12.7	14.3	6.2	9.3	11.1	5.5
HAR10B04M3	4	M3x0.5	3.0	13.6	16.6	8.1	12	16	8.0
HAR10B04M5	4	M5x0.8	3.5	15.6	17.4	8.1	12	16	8.0

HAR12B Miniature extended swivel elbow male



Part No.	ØD	G	A	B	L	ØP	C	E	CH
HAR12B03M3	3	M3x0.5	3.0	12.8	14.7	6.2	9.3	11.4	5.5
HAR12B04M3	4	M3x0.5	3.0	15.3	17.8	8.1	12	14.7	8.0
HAR12B04M5	4	M5x0.8	3.5	15.8	18.3	8.1	12	14.7	8.0

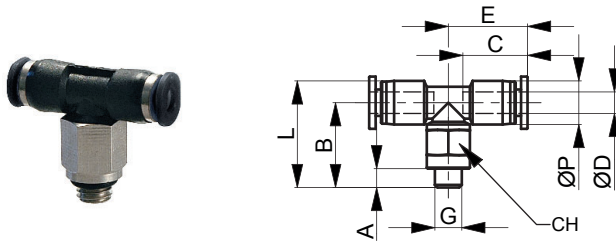
HAR14B Miniature low lateral Tee male



Part No.	ØD	G	A	ØP	E	C	L	CH
HAR14B03M3	3	M3x0.5	3.0	6.2	11.4	9.3	24.1	5.5
HAR14B04M3	4	M3x0.5	3.0	8.1	14.7	12	31	8
HAR14B04M5	4	M5x0.8	3.5	8.1	14.7	12	31.5	8

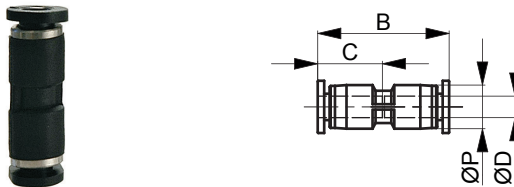
5

HAR16B Miniature low central Tee male



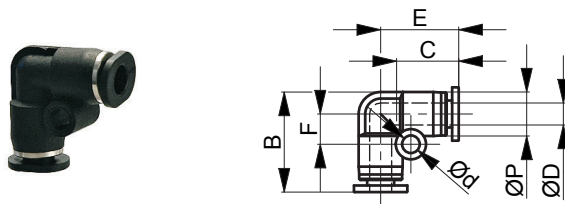
Part No.	ØD	G	A	ØP	E	C	L	B	CH
HAR16B03M3	3	M3x0.5	3.0	6.2	11.4	9.3	14.7	12.8	5.5
HAR16B04M3	4	M3x0.5	3.0	8.1	14.7	12	17.8	15.3	8.0
HAR16B04M5	4	M5x0.8	3.5	8.1	14.7	12	18.3	15.8	8.0

HAR19 Miniature intermediate straight



Part No.	ØD	B	ØP	C
HAR190300	3	19.8	6.2	9.3
HAR190400	4	25.2	8.1	12

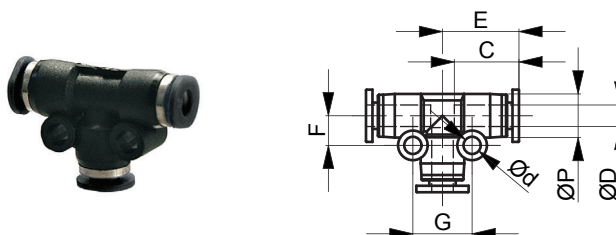
HAR20 Miniature intermediate elbow



Part No.	ØD	B	ØP	C	E	Ød	F
HAR200300	3	14.5	6.2	9.3	11.4	3.2	4.7
HAR200400	4	18.3	8.1	12	14.2	3.2	6.0

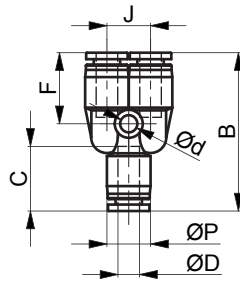
5

HAR21 Miniature intermediate Tee



Part No.	ØD	ØP	C	E	Ød	F	G
HAR210300	3	6.2	9.3	11.4	3.2	4.2	11
HAR210400	4	8.1	12	14.2	3.2	6.0	11

HAR23 Miniature intermediate Y



Part No.	ØD	Ød	B	ØP	C	J	F
HAR230300	3	3.2	28.8	8.1	9.3	8.1	12.9
HAR230400	4	3.2	29.4	8.1	12	8.1	13.2